

1

2

3

4

A

A

B

B

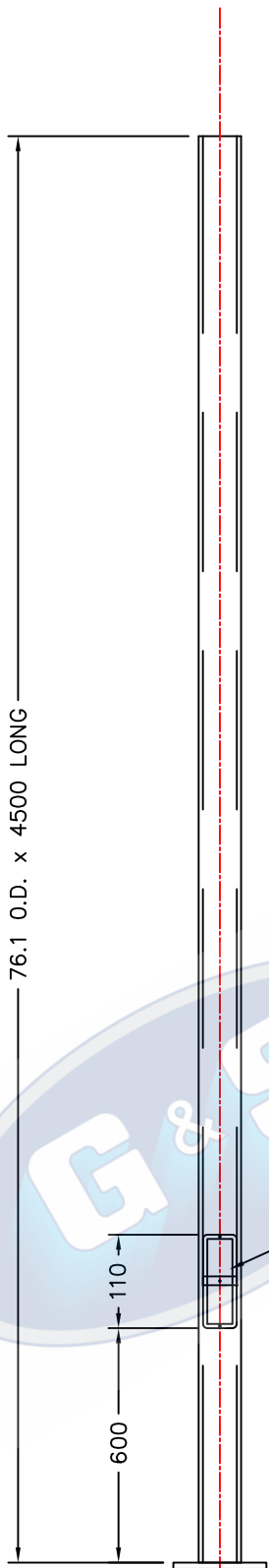
C

C

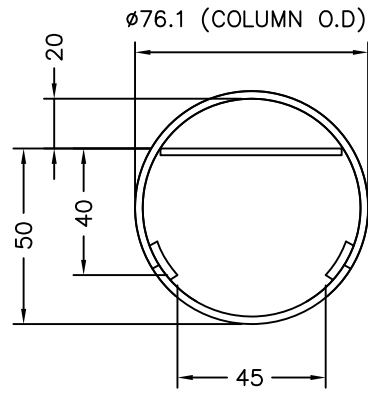
D

D

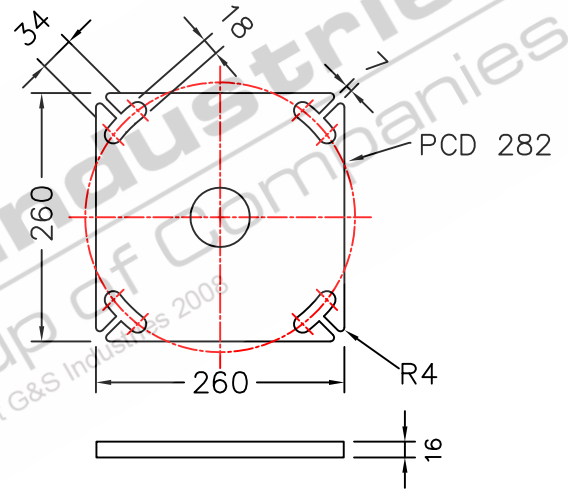
76.1 O.D. x 4500 LONG



COLUMN WEIGHT: 37KG'S



DOOR CLEARANCES



GKA3B
BASEPLATE DETAILS

STANDARDS

- ALL PRODUCTS TO CONFORM TO THE FOLLOWING AUSTRALIAN STANDARDS
- * AS 1170.2: Structural design actions - Wind actions.
- * AS 1302: Geometrical product specifications indication of surface texture in technical production documentation.
- * AS 1554(set) Structural steel welding set.
- * AS 2159: Piling - Design & Installation.
- * AS 2870: Residential slab footings - Construction.
- * AS 3600: Concrete structures.
- * AS 3678: Structural steel - Hot rolled plates, floorplates and slabs.
- * AS 4680: Hot dip galvanized (Zinc) Coatings on fabricated ferrous articles.
- * AS/NZS 4671: Steel reinforcing materials.
- * AS/NZS 4600: Cold formed steel structures.
- * AS/NZS 4676: Structural design requirements for utility services poles.



G&S Industries

97 GUTHRIE STREET OSBORNE PARK W.A. 6017
 PH. (08) 9446 8044, (08) 9446 8266
 FAX (08) 9446 5456

JOB No

DATE:

DESIGN: SG

DRAWN: ZL

CIRCULAR COLUMN C76B4.5
 4.5m POST TOP COLUMN
 BASEPLATE MOUNTED
 650029

CHECKED: RG

APPROVED Y

LAST REVISED: 4 SEPT '10

SCALE NTS

DRAWING ZLRG2086

REVISION 02

1

2

3

4

E

E