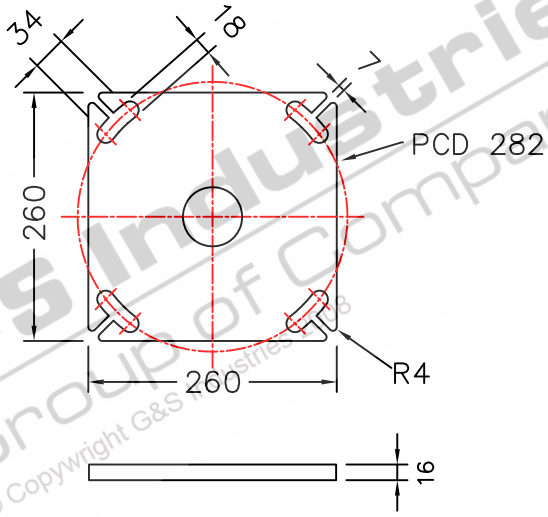


60.3 O.D. x 4500 LONG

COLUMN WEIGHT: 31KG'S



GKA3B  
BASEPLATE DETAILS

- STANDARDS**  
 ALL PRODUCTS TO CONFORM TO THE FOLLOWING AUSTRALIAN STANDARDS  
 \* AS 1170.2: Structural design actions – Wind actions.  
 \* AS 1302: Geometrical product specifications indication of surface texture in technical production documentation.  
 \* AS 1554(set) Structural steel welding set.  
 \* AS 2159: Piling – Design & Installation.  
 \* AS 2870: Residential slab footings – Construction.  
 \* AS 3600: Concrete structures.  
 \* AS 3678: Structural steel – Hot rolled plates, floorplates and slabs.  
 \* AS 4680: Hot dip galvanized (Zinc) Coatings on fabricated ferrous articles.  
 \* AS/NZS 4671: Steel reinforcing materials.  
 \* AS/NZS 4600: Cold formed steel structures.  
 \* AS/NZS 4676: Structural design requirements for utility services poles.

**G&S Industries**  
 97 GUTHRIE STREET OSBORNE PARK W.A. 6017  
 PH. (08) 9446 8044, (08) 9446 8266  
 FAX (08) 9446 5456

JOB No	DATE:
CIRCULAR COLUMN C60B4.5 4.5m POST TOP COLUMN BASEPLATE MOUNTED 650023	

DESIGN# SG	DRAW# ZL
CHECKED# RG	APPROVED Y
LAST REVISED: 4 SEPT '10	SCALE NTS
DRAWING ZLRG2080	REVISION 02