

1 2 3 4

A

A

B

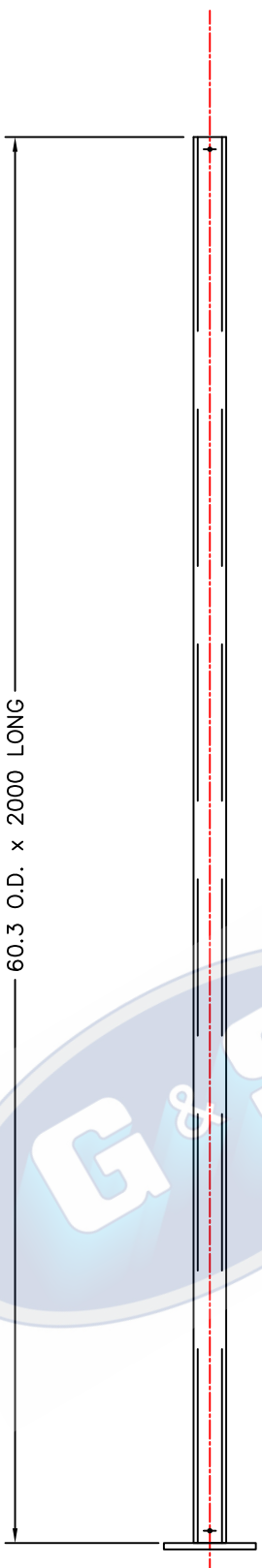
B

C

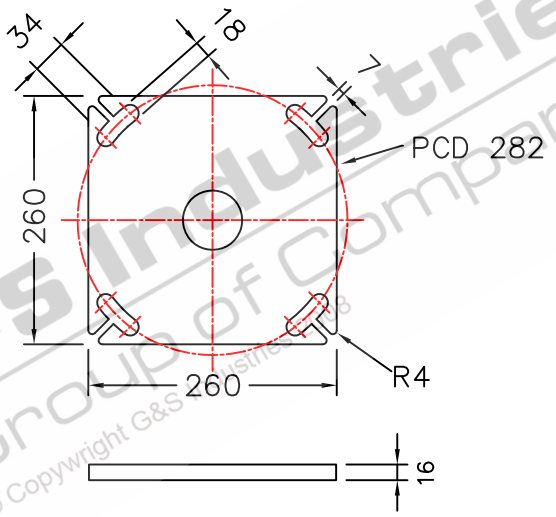
C

D

D



COLUMN WEIGHT: 18KG'S



GKA3B
BASEPLATE DETAILS

- STANDARDS**
 ALL PRODUCTS TO CONFORM TO THE FOLLOWING AUSTRALIAN STANDARDS
 * AS 1170.2: Structural design actions – Wind actions.
 * AS 1302: Geometrical product specifications indication of surface texture in technical production documentation.
 * AS 1554(set) Structural steel welding set.
 * AS 2159: Piling – Design & Installation.
 * AS 2870: Residential slab footings – Construction.
 * AS 3600: Concrete structures.
 * AS 3678: Structural steel – Hot rolled plates, floorplates and slabs.
 * AS 4680: Hot dip galvanized (Zinc) Coatings on fabricated ferrous articles.
 * AS/NZS 4671: Steel reinforcing materials.
 * AS/NZS 4600: Cold formed steel structures.
 * AS/NZS 4676: Structural design requirements for utility services poles.



G&S Industries

97 GUTHRIE STREET OSBORNE PARK W.A. 6017
 PH. (08) 9446 8044, (08) 9446 8266
 FAX (08) 9446 5456

| | | | |
|--|-------|--------------------------|-------------|
| JOB No | DATE: | DESIGN# SG | DRAW# ZL |
| CIRCULAR COLUMN C60B2 2m POST TOP COLUMN BASEPLATE MOUNTED 650020 | | CHECKED# RG | APPROVED Y |
| | | LAST REVISED: 4 SEPT '10 | SCALE NTS |
| | | DRAWING ZLRG2077 | REVISION 01 |

1 2 3 4

E

E