

1

2

3

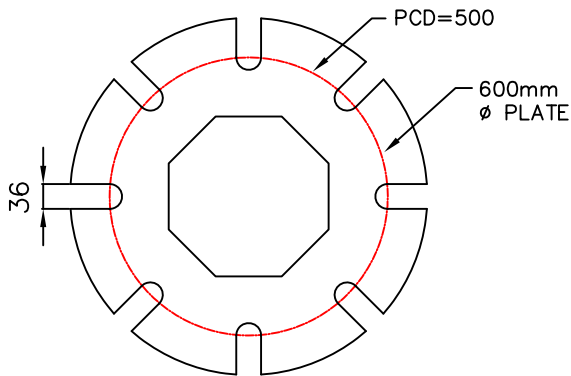
4

A

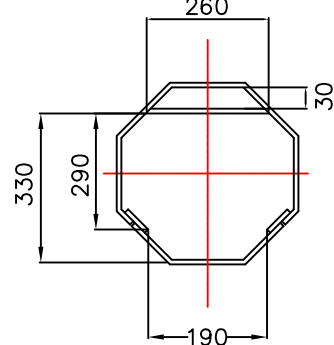
A

88.9 O.D. x 150 SPIGOT
CABLE SUPPORT
BRACKET

100 OD



BASEPLATE THICKNESS: 32mm
BASEPLATE DETAILS



**CONTROL GEAR
CLEARANCE DETAILS**

B

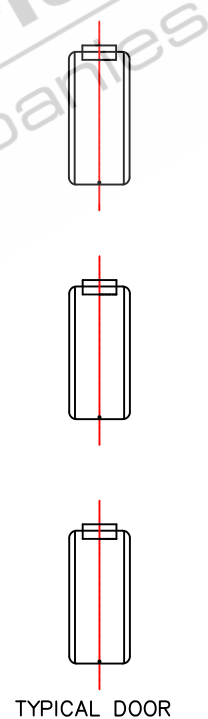
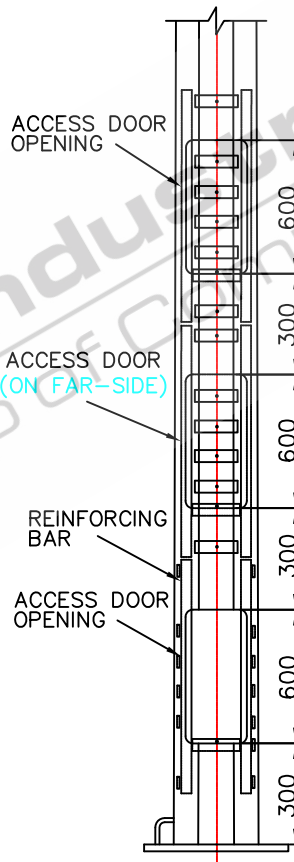
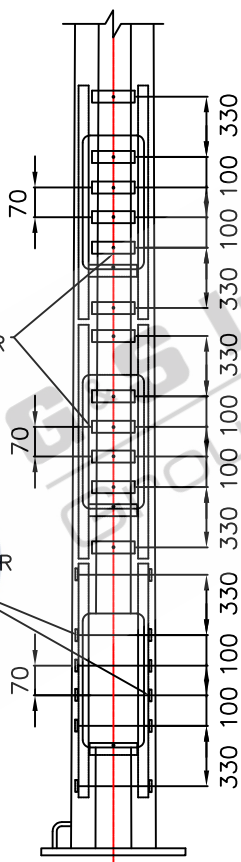
B

20000

TAPERED OCTAGONAL
SECTIONS

CONTROL GEAR
STRAPS
LOCATED AT REAR
OF COLUMN ON
DOORS 2 & 3

CONTROL GEAR
STRAPS
ON LEFT &
RIGHT FOR
LOWER DOOR



TYPICAL DOOR

C

C

D

D

DOOR (FRONT)
DOOR (REAR)
DOOR (FRONT)
406 OD

LIFTING HOOK

BASEPLATE
8(M30 or M33) HD RAGBOLTS

ELEVATION ON DOORS

8 SETS OF CONTROL GEAR STRAPS ON BOTH SIDES OF COLUMN
DOORS REMOVED FOR CLARITY

ELEVATION

TOTAL WEIGHT OF COLUMN: 1116.00KG'S

- STANDARDS
ALL PRODUCTS TO CONFORM TO THE FOLLOWING AUSTRALIAN STANDARDS
- * AS 1170.2: Structural design actions – Wind actions.
 - * AS 1302: Geometrical product specifications indication of surface texture in technical production documentation.
 - * AS 1554(set): Structural steel welding set.
 - * AS 2159: Piling – Design & Installation.
 - * AS 2870: Residential slab footings – Construction.
 - * AS 3600: Concrete structures.
 - * AS 3678: Structural steel – Hot rolled plates, floorplates and slabs.
 - * AS 4680: Hot dip galvanized (Zinc) Coatings on fabricated ferrous articles.
 - * AS/NZS 4671: Steel reinforcing materials.
 - * AS/NZS 4600: Cold formed steel structures.
 - * AS/NZS 4676: Structural design requirements for utility services poles.



G&S Industries

97 GUTHRIE STREET, OSBORNE PARK W.A. 6017
PH (08) 9446 8044. (08) 9446 8266
FAX (08) 9446 5456

JOB NO.	DATE:	DESIGN:	DRAWN:
20M FIXED TAPERED OCTAGONAL COLUMN F20BH		S.G.	Z.L.
		CHECKED:	APPROVED:
		R.G.	Y
		LAST REVISED:	SCALE:
		17 JAN '07	NTS
		DRAWING:	REVISION:
		ZLRG2055CA	01

1

2

3

4

E

E