

1

2

3

4

A

A

B

B

C

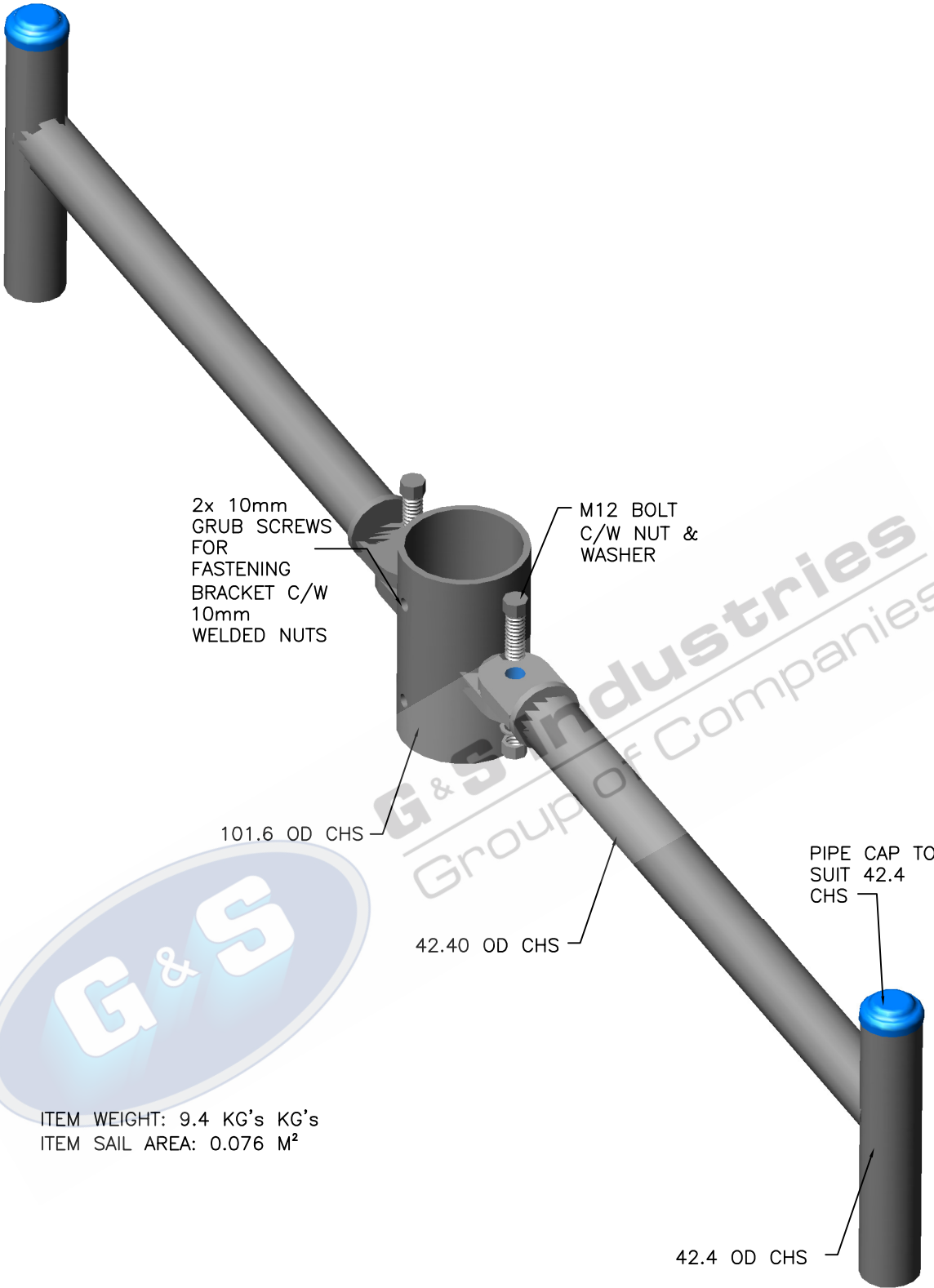
C

D

D

E

E



2x 10mm
GRUB SCREWS
FOR
FASTENING
BRACKET C/W
10mm
WELDED NUTS

M12 BOLT
C/W NUT &
WASHER

101.6 OD CHS

42.40 OD CHS

PIPE CAP TO
SUIT 42.4
CHS

42.4 OD CHS



ITEM WEIGHT: 9.4 KG's
ITEM SAIL AREA: 0.076 M²

STANDARDS

ALL PRODUCTS TO CONFORM TO THE FOLLOWING AUSTRALIAN STANDARDS

- AS 1170.2: Structural design actions - Wind actions.
- AS 1300: Geometrical product specifications indication of surface texture in technical production documentation.
- AS 1554(set): Structural steel welding set.
- AS 2159: Piling - Design & Installation.
- AS 2870: Residential slab footings - Construction.
- AS 3600: Concrete structures.
- AS 3579: Structural steel - Hot rolled plates, floorplates and slabs.
- AS 4680: Hot dip galvanized (Zinc) Coatings on fabricated ferrous articles.
- AS/NZS 4671: Steel reinforcing materials.
- AS/NZS 4600: Cold formed steel structures.
- AS/NZS 4676: Structural design requirements for utility services poles.



G&S Industries

97 GUTHRIE STREET, OSBORNE PARK W.A. 6017
PH (08) 9446 8044, (08) 9446 8266
FAX (08) 9446 5456

JOB NO.

DATE:

DESIGN:

S.G.

DRAWN:

Z.L.

ADJUSTABLE YAGI BRACKET
AYB90D
720012A

CHECKED:

R.G.

APPROVED:

Y

LAST REVISED:

2 FEB '07

SCALE:

NTS

DRAWING:

ZLRG472

REVISION:

01

1

2

3

4