

1

2

3

4

A

A

B

B

C

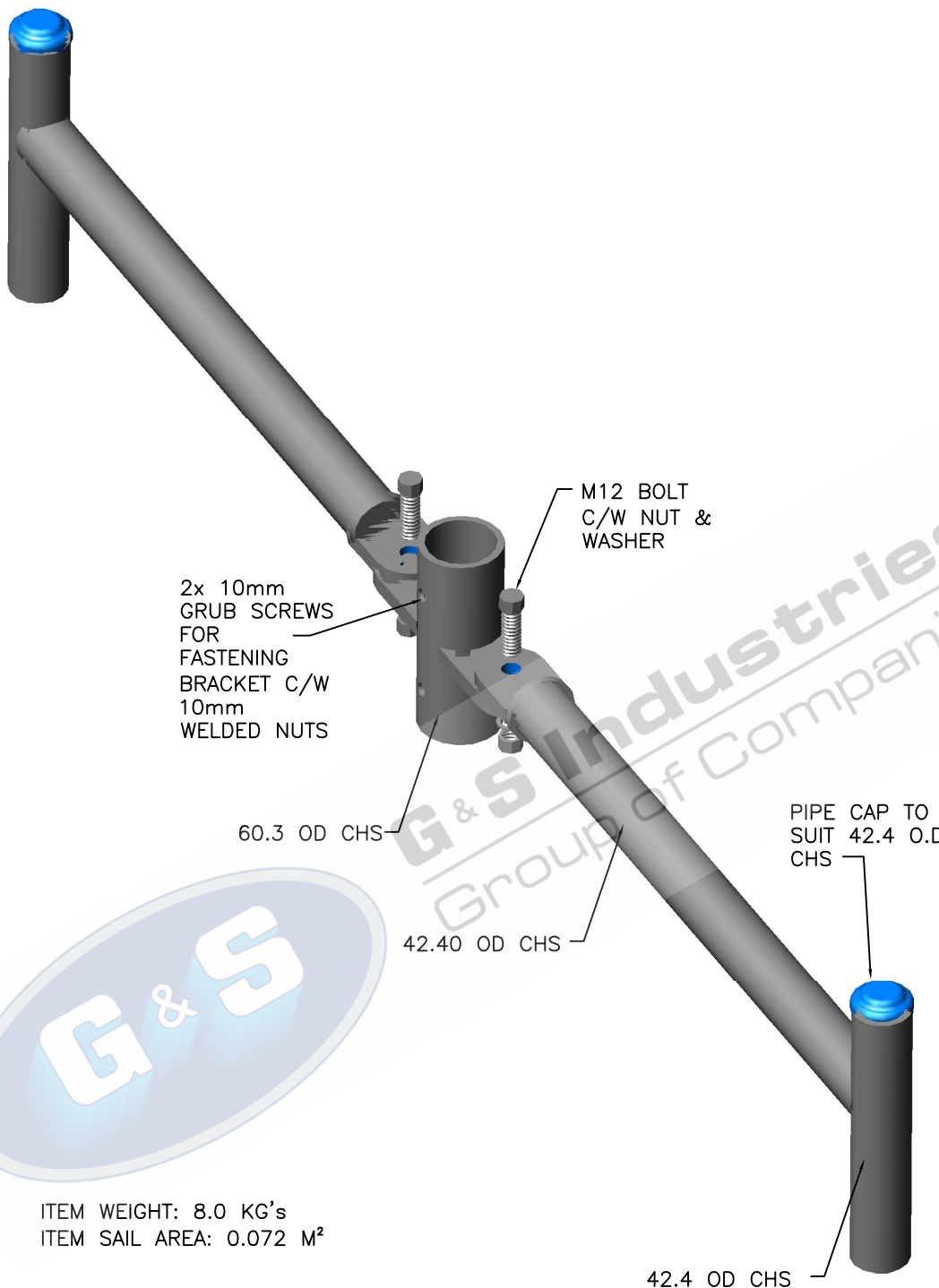
C

D

D

E

E



2x 10mm
GRUB SCREWS
FOR
FASTENING
BRACKET C/W
10mm
WELDED NUTS

M12 BOLT
C/W NUT &
WASHER

60.3 OD CHS

42.40 OD CHS

PIPE CAP TO
SUIT 42.4 O.D
CHS

42.4 OD CHS



ITEM WEIGHT: 8.0 KG's
ITEM SAIL AREA: 0.072 M²

- STANDARDS**
ALL PRODUCTS TO CONFORM TO THE FOLLOWING AUSTRALIAN STANDARDS
- AS 1170.2: Structural design actions - Wind actions.
 - AS 1302: Geometrical product specifications Indication of surface texture in technical production documentation.
 - AS 1554(set): Structural steel welding set.
 - AS 2159: Piling - Design & Installation.
 - AS 2870: Residential slab footings - Construction.
 - AS 3600: Concrete structures.
 - AS 3678: Structural steel - Hot rolled plates, floorplates and slabs.
 - AS 4680: Hot dip galvanized (Zinc) Coatings on fabricated ferrous articles.
 - AS/NZS 4671: Steel reinforcing materials.
 - AS/NZS 4600: Cold formed steel structures.
 - AS/NZS 4676: Structural design requirements for utility services poles.



97 GUTHRIE STREET, OSBORNE PARK W.A. 6017
PH (08) 9446 8044. (08) 9446 8266
FAX (08) 9446 5456

| | | | |
|--|-------|----------------------------|-----------------|
| JOB NO. | DATE: | DESIGN: S.G. | DRAWN: Z.L. |
| ADJUSTABLE YAGI BRACKET AYB50D 720011A | | CHECKED: R.G. | APPROVED: Y |
| | | LAST REVISED: 2 FEB '07 | SCALE: NTS |
| | | DRAWING: ZLRG471 | REVISION: 01 |

1

2

3

4