

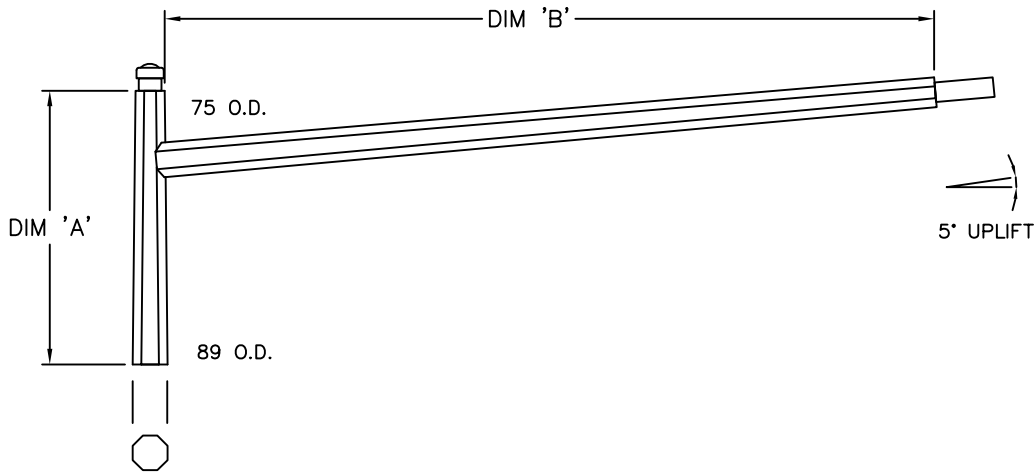
1

2

3

4

A



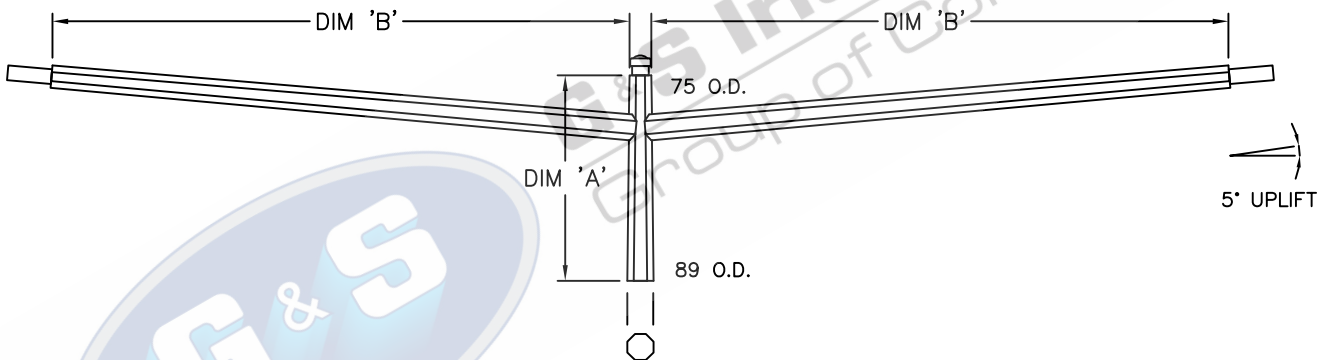
A

B

STRAIGHT SINGLE					
ITEM	WEIGHT (KG's)	PART NO.	ALT PART NO.	'A'	'B'
1000mm Straight Single Tap/Oct Outreach Arm	12	OA 1000 S S	890401	800	1000
1500mm Straight Single Tap/Oct Outreach Arm	14	OA 1500 S S	890402	800	1500
2000mm Straight Single Tap/Oct Outreach Arm	16	OA 2000 S S	890403	800	2000
2500mm Straight Single Tap/Oct Outreach Arm	17	OA 2500 S S	890404	800	2500
3000mm Straight Single Tap/Oct Outreach Arm	19	OA 3000 S S	890405	800	3000

B

C



C

D

STRAIGHT DOUBLE					
ITEM	WEIGHT (KG's)	PART NO.	ALT PART NO.	'A'	'B'
1000mm Straight Double Tap/Oct Outreach Arm	22	OA 1000 S D	890407	800	1000
1500mm Straight Double Tap/Oct Outreach Arm	26	OA 1500 S D	890408	800	1500
2000mm Straight Double Tap/Oct Outreach Arm	30	OA 2000 S D	890409	800	2000
2500mm Straight Double Tap/Oct Outreach Arm	32	OA 2500 S D	890410	800	2500
3000mm Straight Double Tap/Oct Outreach Arm	36	OA 3000 S D	890411	800	3000

D

E



G&amp;S Industries

97 GUTHRIE STREET, OSBORNE PARK W.A. 6017  
 PH (08) 9446 8044. (08) 9446 8266  
 FAX (08) 9446 5456

JOB NO.

DATE:

DESIGN:

S.G.

DRAWN:

Z.L.

OUTREACH ARMS (STRAIGHT)

CHECKED:

R.G.

APPROVED:

Y

LAST REVISED:

4 SEPT '06

SCALE:

NTS

DRAWING:

ZLRG2167

REVISION:

01

1

2

3

4

E

## STANDARDS

ALL PRODUCTS TO CONFORM TO THE FOLLOWING AUSTRALIAN STANDARDS

- \* AS 1170.2: Structural design actions - Wind actions.
- \* AS 1302: Geometrical product specifications indication of surface texture in technical production documentation.
- \* AS 1554(see) Structural steel welding set.
- \* AS 2159: Piling - Design & Installation.
- \* AS 2870: Residential slab footings - Construction.
- \* AS 3600: Concrete structures.
- \* AS 3678: Structural steel - Hot rolled plates, floorplates and slabs.
- \* AS 4680: Hot dip galvanized (Zinc) Coatings on fabricated ferrous articles.
- \* AS/NZS 4671: Steel reinforcing materials.
- \* AS/NZS 4600: Cold formed steel structures.
- \* AS/NZS 4676: Structural design requirements for utility services poles.