

1

2

3

4

A

A

B

B

C

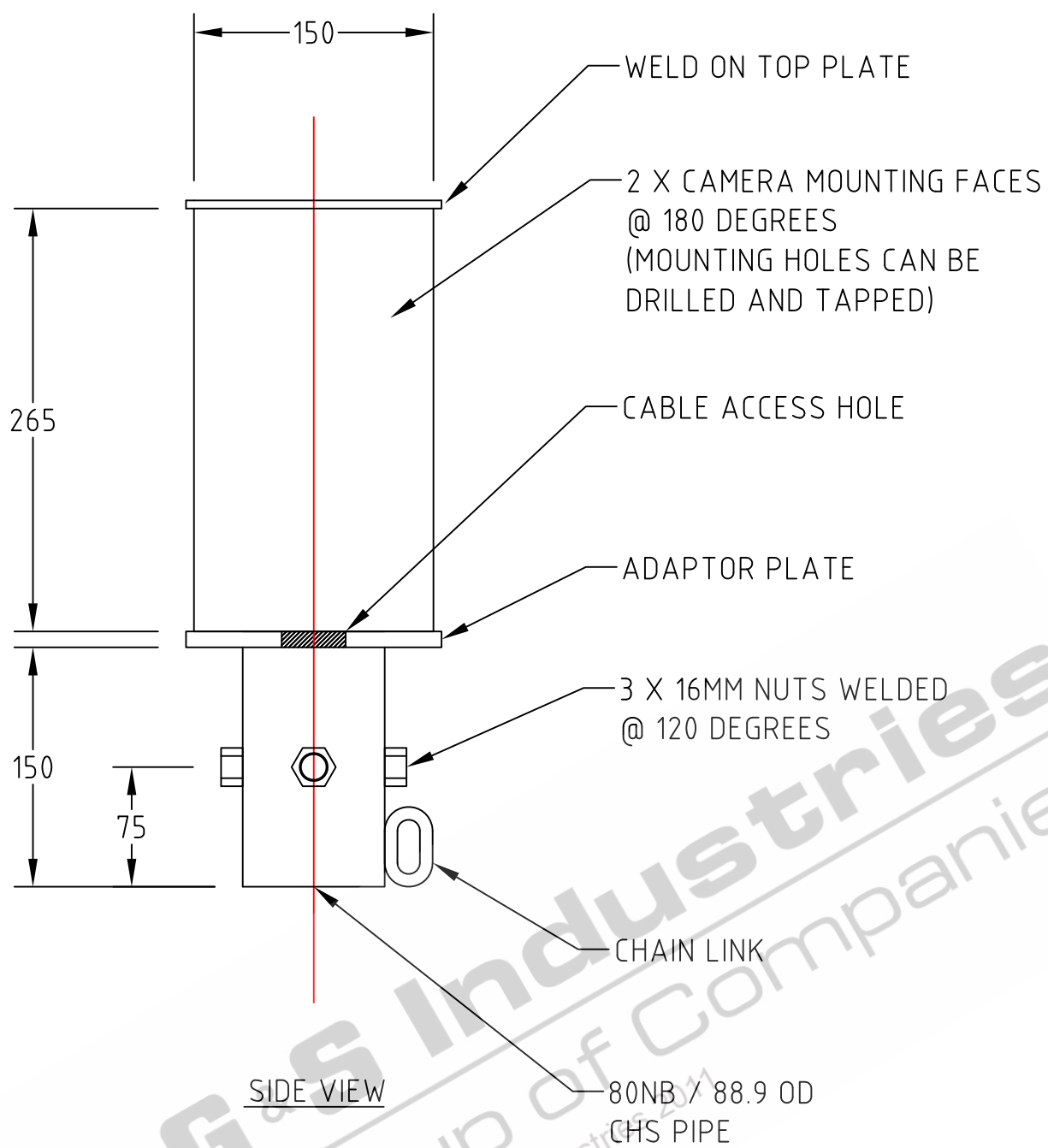
C

D

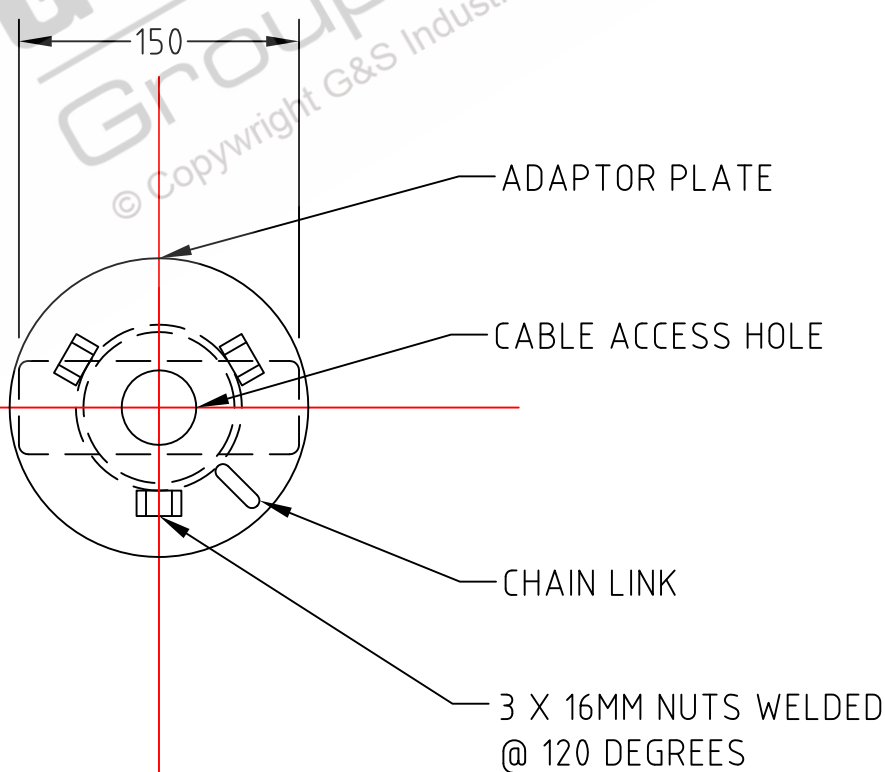
D

E

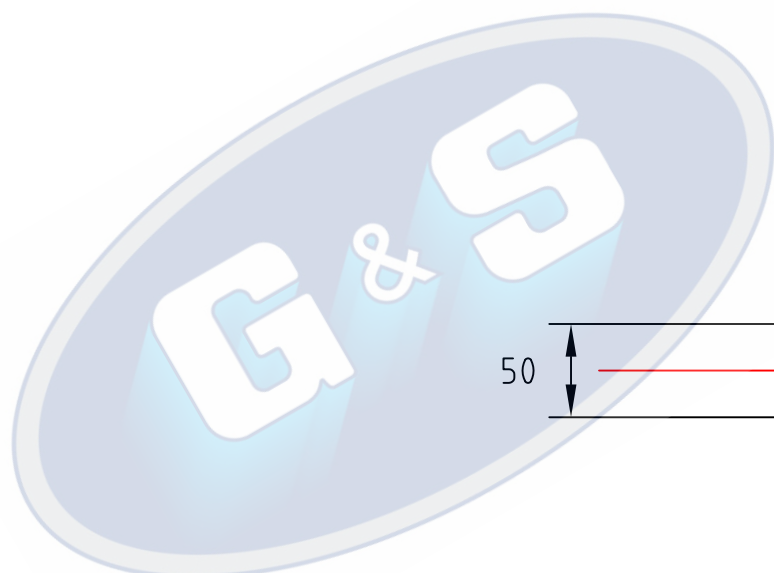
E



SIDE VIEW



BELOW VIEW



**G&S Industries**  
 Group of Companies  
 © Copyright G&S Industries

EST PRODUCT WEIGHT: 5.8KG'S  
 EST SAIL AREA: 0.007m2

- STANDARDS**  
 ALL PRODUCTS TO CONFORM TO THE FOLLOWING AUSTRALIAN STANDARDS
- \* AS 1170.2: Structural design actions – Wind actions.
  - \* AS 1302: Geometrical product specifications indication of surface texture in technical production documentation.
  - \* AS 1554(set) Structural steel welding set.
  - \* AS 2159: Piling – Design & Installation.
  - \* AS 2870: Residential slab footings – Construction.
  - \* AS 3600: Concrete structures.
  - \* AS 3678: Structural steel – Hot rolled plates, floorplates and slabs.
  - \* AS 4680: Hot dip galvanized (Zinc) Coatings on fabricated ferrous articles.
  - \* AS/NZS 4671: Steel reinforcing materials.
  - \* AS/NZS 4600: Cold formed steel structures.
  - \* AS/NZS 4676: Structural design requirements for utility services poles.



97 GUTHRIE STREET, OSBORNE PARK W.A. 6017  
 PH (08) 9446 8044. (08) 9446 8266  
 FAX (08) 9446 5456

JOB NO.	DATE: 31/08/10	DESIGN: R.M.G	DRAWN: R.M.G
CM07	2 – WAY CAMERA DOME SPIGOT 710027	CHECKED: S.G	APPROVED:
LAST REVISED: 31/08/11		SCALE: 1:120	SHEET: A4
DRAWING: ZLRG2156	REVISION: A	SHEET: 1 of 1	

1

2

3

4