

1

2

3

4

A

A

B

B

C

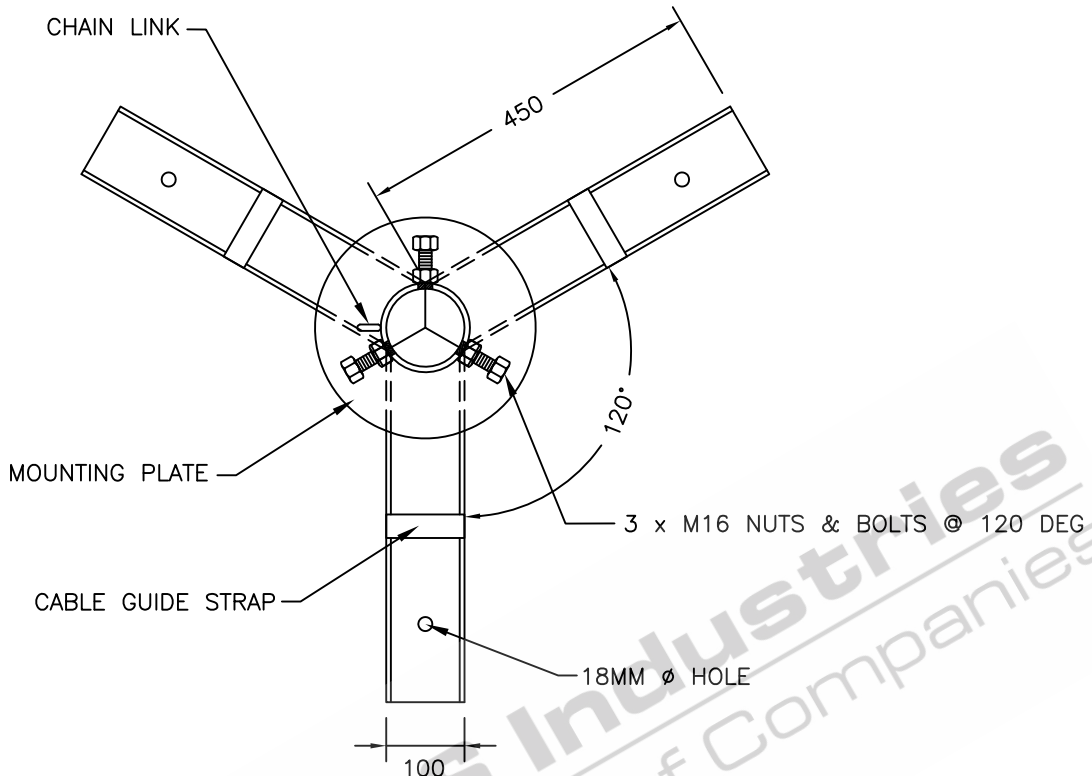
C

D

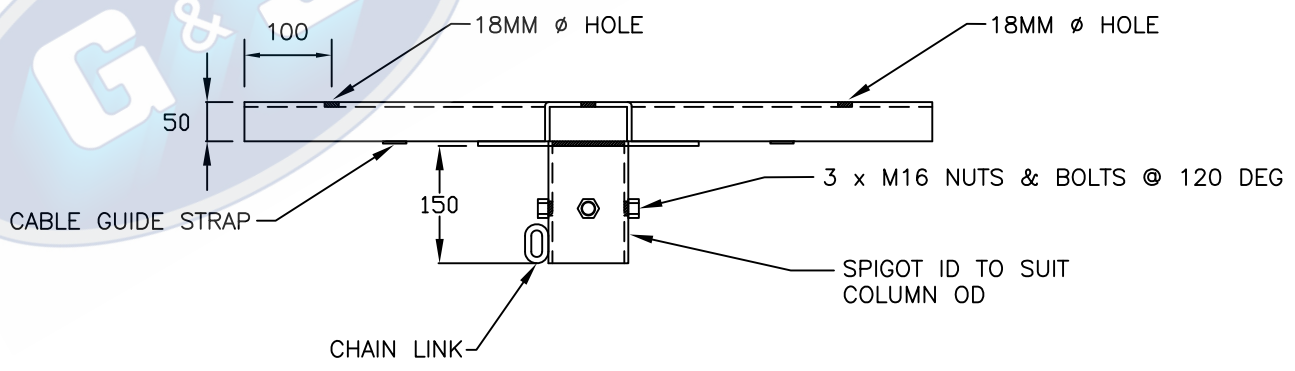
D

E

E

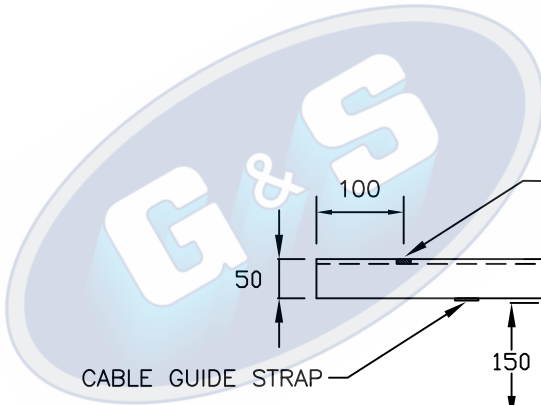


TOP VIEW



SIDE VIEW

G&S Industries
 Group of Companies
 © Copyright G&S Industries 2010



TOTAL WEIGHT: 14KG's

- STANDARDS**
 ALL PRODUCTS TO CONFORM TO THE FOLLOWING AUSTRALIAN STANDARDS
- AS 1170.2: Structural design actions - Wind actions.
 - AS 1302: Geometrical product specifications indication of surface texture in technical production documentation.
 - AS 1554(set): Structural steel welding set.
 - AS 2159: Piling - Design & Installation.
 - AS 2870: Residential slab footings - Construction.
 - AS 3600: Concrete structures.
 - AS 3678: Structural steel - Hot rolled plates, floorplates and slabs.
 - AS 4680: Hot dip galvanized (Zinc) Coatings on fabricated ferrous articles.
 - AS/NZS 4671: Steel reinforcing materials.
 - AS/NZS 4600: Cold formed steel structures.
 - AS/NZS 4676: Structural design requirements for utility services poles.



97 GUTHRIE STREET, OSBORNE PARK W.A. 6017
 PH (08) 9446 8044. (08) 9446 8266
 FAX (08) 9446 5456

JOB NO.	DATE:	DESIGN:	DRAWN:
CA3WAYT3 CROSSARM TRUNION MOUNTED 890220		S.G.	Z.L.
		CHECKED:	APPROVED:
		R.G.	Y
		LAST REVISED:	SCALE:
		24 MAY '10	NTS
		DRAWING:	REVISION:
		ZLRG2430	02

1

2

3

4