

1

2

3

4

A

A

B

B

C

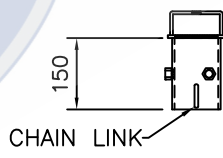
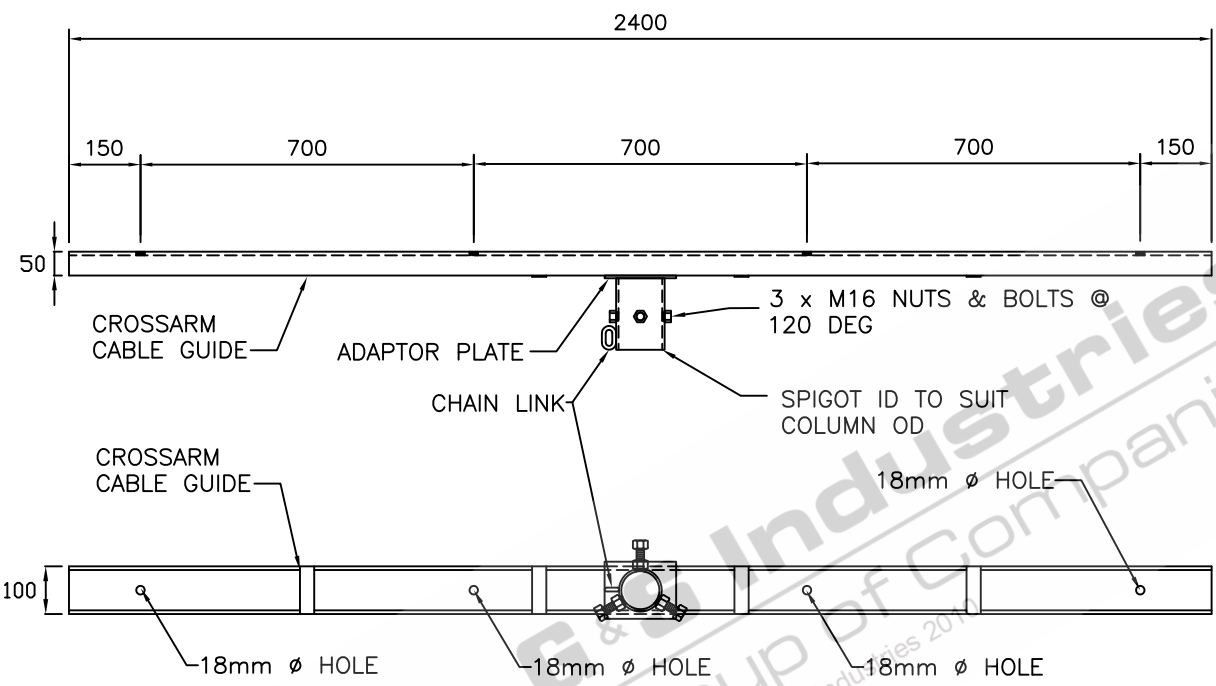
C

D

D

E

E



- STANDARDS**  
ALL PRODUCTS TO CONFORM TO THE FOLLOWING AUSTRALIAN STANDARDS
- AS 1170.2: Structural design actions - Wind actions.
  - AS 1302: Geometrical product specifications Indication of surface texture in technical production documentation.
  - AS 1554(set): Structural steel welding set.
  - AS 2159: Piling - Design & Installation.
  - AS 2870: Residential slab footings - Construction.
  - AS 3600: Concrete structures.
  - AS 3678: Structural steel - Hot rolled plates, floorplates and slabs.
  - AS 4680: Hot dip galvanized (Zinc) Coatings on fabricated ferrous articles.
  - AS/NZS 4671: Steel reinforcing materials.
  - AS/NZS 4600: Cold formed steel structures.
  - AS/NZS 4676: Structural design requirements for utility services poles.

TOTAL WEIGHT: 22KG's



97 GUTHRIE STREET, OSBORNE PARK W.A. 6017  
 PH (08) 9446 8044. (08) 9446 8266  
 FAX (08) 9446 5456

JOB NO.	DATE:	DESIGN:	DRAWN:
CA2400T4OR6		S.G.	Z.L.
CROSSARM		CHECKED:	APPROVED:
SUIT 4 OR 6 TRUNION MOUNTED LIGHTS		R.G.	Y
890219		LAST REVISED:	SCALE:
		24 MAY '10	NTS
		DRAWING:	REVISION:
		ZLRG2177	03

1

2

3

4