

1

2

3

4

A

A

B

B

C

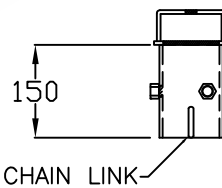
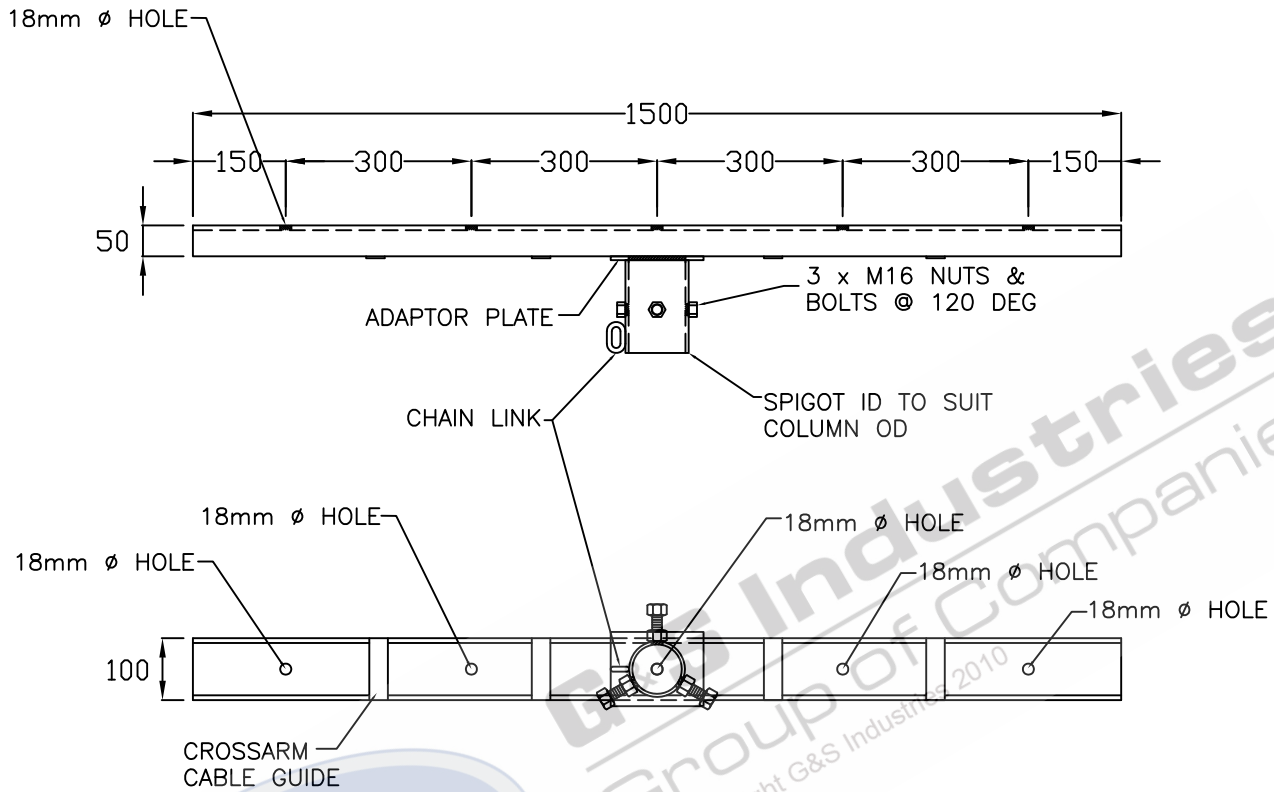
C

D

D

E

E



STANDARDS

ALL PRODUCTS TO CONFORM TO THE FOLLOWING AUSTRALIAN STANDARDS

- \* AS 1170.2: Structural design actions - Wind actions.
- \* AS 1302: Geometrical product specifications indication of surface texture in technical production documentation.
- \* AS 1554(set): Structural steel welding set.
- \* AS 2159: Piling - Design & Installation.
- \* AS 2870: Residential slab footings - Construction.
- \* AS 3600: Concrete structures.
- \* AS 3578: Structural steel - Hot rolled plates, floorplates and slabs.
- \* AS 4680: Hot dip galvanized (Zinc) Coatings on fabricated ferrous articles.
- \* AS/NZS 4671: Steel reinforcing materials.
- \* AS/NZS 4600: Cold formed steel structures.
- \* AS/NZS 4676: Structural design requirements for utility services poles.

TOTAL WEIGHT: 11KG's



G&S Industries

97 GUTHRIE STREET, OSBORNE PARK W.A. 6017  
 PH (08) 9446 8044. (08) 9446 8266  
 FAX (08) 9446 5456

JOB NO.

DATE:

DESIGN:

S.G.

DRAWN:

Z.L.

CA1500T3OR5  
 CROSSARM  
 SUIT 3 OR 5 TRUNION MOUNTED LIGHTS  
 890215

CHECKED:

R.G.

APPROVED:

Y

LAST REVISED:

24 MAY '10

SCALE:

NTS

DRAWING:

ZLRG2173

REVISION:

02

1

2

3

4