

1

2

3

4

A

A

B

B

C

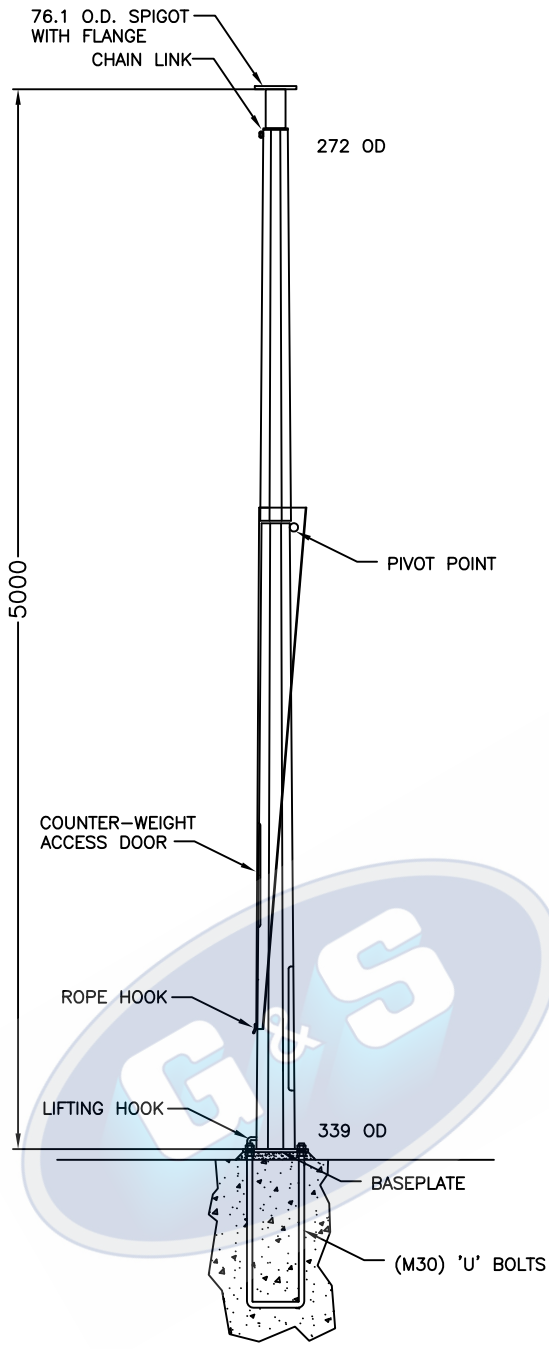
C

D

D

E

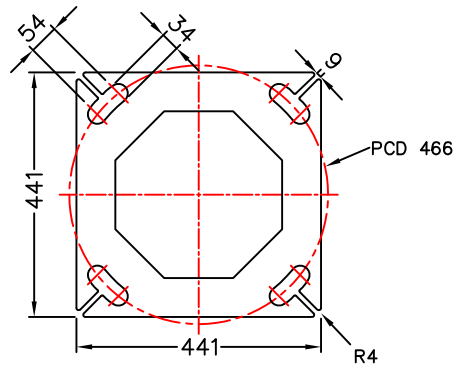
E



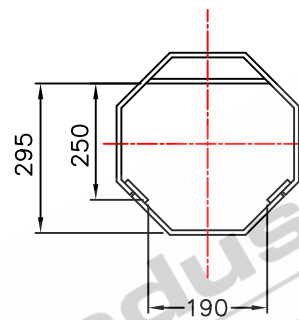
**ELEVATION**

TOTAL WEIGHT OF COLUMN: 255 KG'S

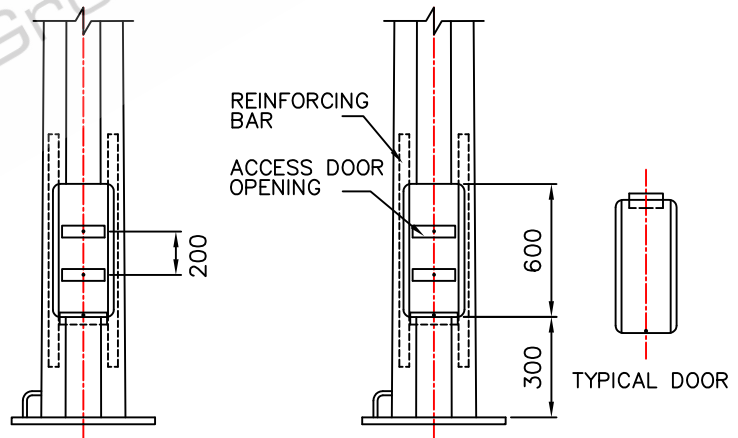
RIGID DESIGN FOR CCTV CAMERA OPERATION WITH MINIMAL DEFLECTION RATING.



BASEPLATE THICKNESS: 25mm  
**BASEPLATE DETAILS**



**CONTROL GEAR CLEARANCE DETAILS**



**ELEVATION ON DOOR**  
DOOR REMOVED FOR CLARITY

**STANDARDS**

- ALL PRODUCTS TO CONFORM TO THE FOLLOWING AUSTRALIAN STANDARDS
- \* AS 1170.2: Structural design actions - Wind actions.
  - \* AS 1302: Geometrical product specifications indication of surface texture in technical production documentation.
  - \* AS 1554(aet) Structural steel welding set.
  - \* AS 2159: Piling - Design & Installation.
  - \* AS 2870: Residential slab footings - Construction.
  - \* AS 3600: Concrete structures.
  - \* AS 3678: Structural steel - Hot rolled plates, floorplates and slabs.
  - \* AS 4680: Hot dip galvanized (Zinc) Coatings on fabricated ferrous articles.
  - \* AS/NZS 4671: Steel reinforcing materials.
  - \* AS/NZS 4600: Cold formed steel structures.
  - \* AS/NZS 4676: Structural design requirements for utility services poles.



G&S Industries

97 GUTHRIE STREET, OSBORNE PARK W.A. 6017  
PH (08) 9446 8044. (08) 9446 8266  
FAX (08) 9446 5456

|   |       |               |           |
|---|-------|---------------|-----------|
| JOB NO.   | DATE: | DESIGN:       | DRAWN:    |
| 5M MID-HINGED TAPERED OCTAGONAL COLUMN<br>CCTV5BMHH<br>710009 |       | S.G.          | Z.L.      |
|   |       | CHECKED:      | APPROVED: |
|   |       | R.G.          | Y         |
|   |       | LAST REVISED: | SCALE:    |
|   |       | 4 SEPT '06    | NTS       |
|   |       | DRAWING:      | REVISION: |
|   |       | ZLRG2142      | 01        |

1

2

3

4