

1 2 3 4

A

A

B

B

C

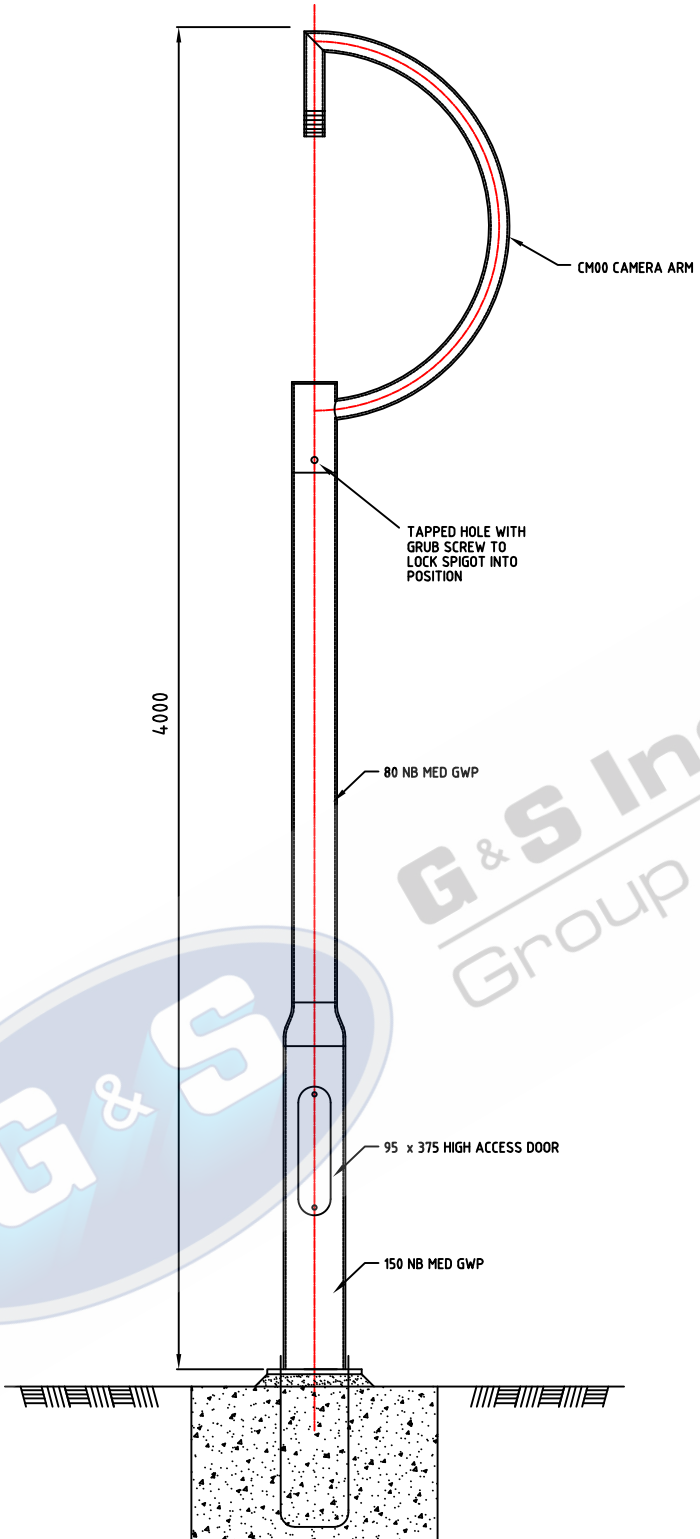
C

D

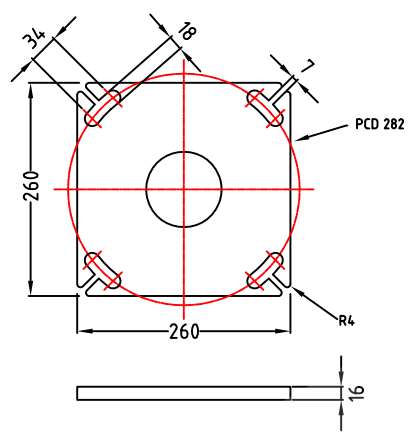
D

E

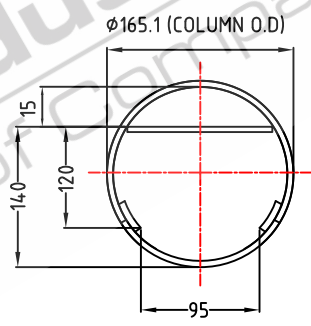
E



ELEVATION
TOTAL WEIGHT: 58 KG's



BASEPLATE DETAILS



DOOR CLEARANCES

- STANDARDS**
ALL PRODUCTS TO CONFORM TO THE FOLLOWING AUSTRALIAN STANDARDS
- × AS 1170.2: Structural design actions - Wind actions.
 - × AS 1902: Geometrical product specifications indication of surface texture in technical production documentation.
 - × AS 1554(set): Structural steel welding set.
 - × AS 2159: Piling - Design & Installation.
 - × AS 2870: Residential slab footings - Construction.
 - × AS 3600: Concrete structures.
 - × AS 3678: Structural steel - Hot rolled plates, floorplates and slabs.
 - × AS 4680: Hot dip galvanized (Zinc) Coatings on fabricated ferrous articles.
 - × AS/NZS 4671: Steel reinforcing materials.
 - × AS/NZS 4600: Cold formed steel structures.
 - × AS/NZS 4676: Structural design requirements for utility services poles.



G&S Industries

97 GUTHRIE STREET OSBORNE PARK W.A. 6017
PH. (08) 9446 8044, (08) 9446 8266
FAX (08) 9446 5456

JOB No

DATE:

DESIGN: SG

DRAWN: ZL

CAMERA COLUMN C/W HALF MOON ARM
GENERAL ARRANGEMENT
CCTV4BFDM
710007

CHECKED: RG

APPROVED: Y

LAST REVISED: 4 SEPT '06

SCALE: NTS

DRAWING: ZLRG2140

REVISION: 01

1 2 3 4