

1

2

3

4

A

A

B

B

C

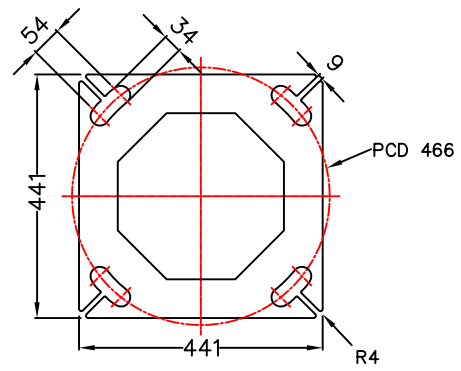
C

D

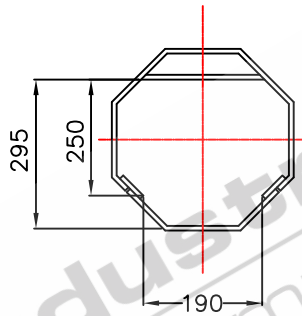
D

E

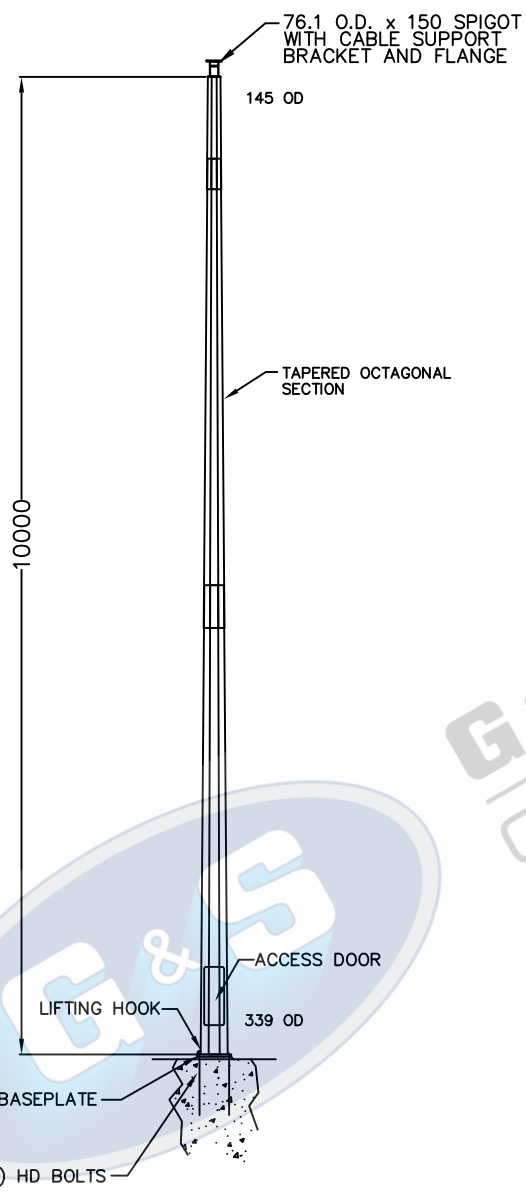
E



BASEPLATE THICKNESS: 25mm  
**BASEPLATE DETAILS**

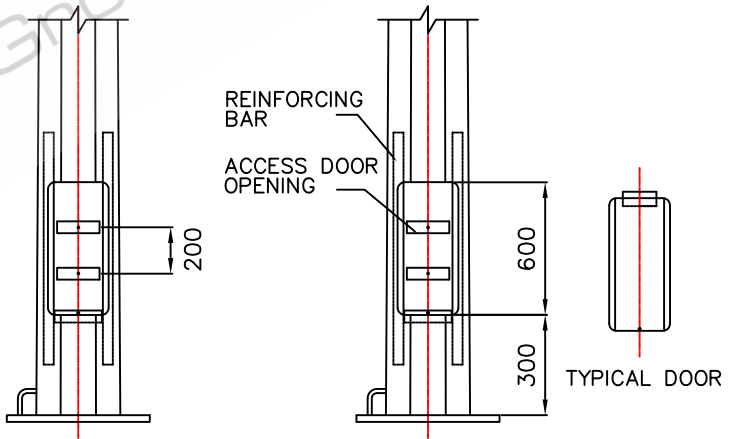


**CONTROL GEAR CLEARANCE DETAILS**



**ELEVATION**

TOTAL WEIGHT OF COLUMN: 219.00KG'S



**ELEVATION ON DOOR**  
DOOR REMOVED FOR CLARITY

- STANDARDS TO CONFORM TO THE FOLLOWING AUSTRALIAN STANDARDS
- \* AS 1170.2: Structural design actions - Wind actions.
  - \* AS 1302: Geometrical product specifications indication of surface texture in technical production documentation.
  - \* AS 1554(set): Structural steel welding set.
  - \* AS 2159: Piling - Design & Installation.
  - \* AS 2870: Residential slab footings - Construction.
  - \* AS 3600: Concrete structures.
  - \* AS 3678: Structural steel - Hot rolled plates, floorplates and slabs.
  - \* AS 4680: Hot dip galvanized (Zinc) Coatings on fabricated ferrous articles.
  - \* AS/NZS 4671: Steel reinforcing materials.
  - \* AS/NZS 4600: Cold formed steel structures.
  - \* AS/NZS 4676: Structural design requirements for utility services poles.

RIGID DESIGN FOR CCTV CAMERA OPERATION WITH MINIMAL DEFLECTION RATING.



97 GUTHRIE STREET, OSBORNE PARK W.A. 6017  
PH (08) 9446 8044. (08) 9446 8266  
FAX (08) 9446 5456

JOB NO.	DATE:	DESIGN:	DRAWN:
10M CCTV CAMERA COLUMN CCTV10BFM 710005		S.G.	Z.L.
		CHECKED:	APPROVED:
		R.G.	Y
		LAST REVISED:	SCALE:
		4 SEPT '06	NTS
		DRAWING:	REVISION:
		ZLRG2138	01

1

2

3

4