

1

2

3

4

A

A

B

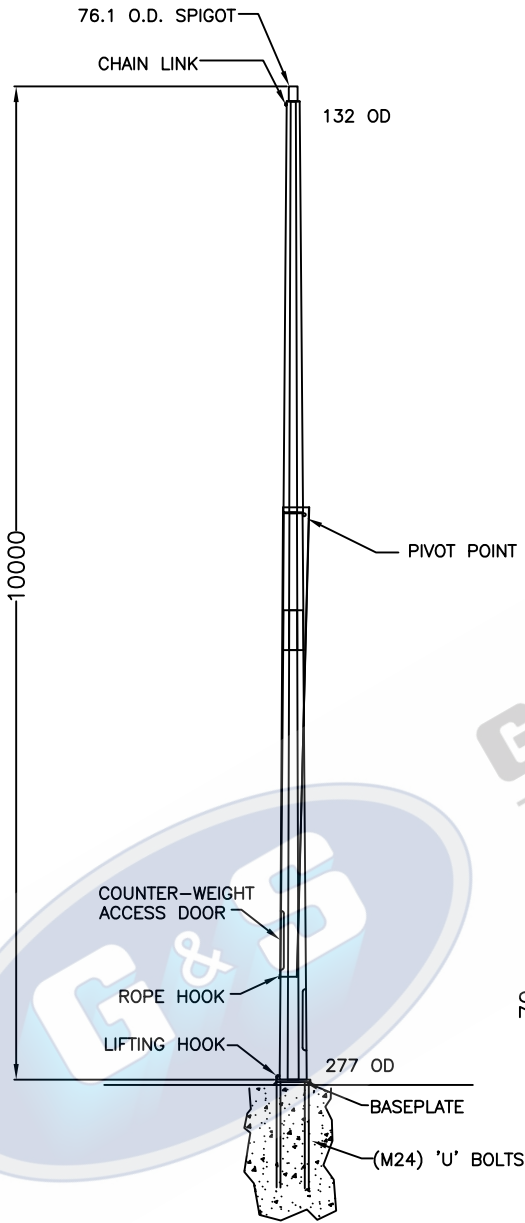
B

C

C

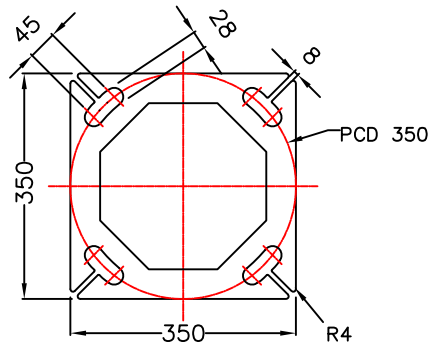
D

D

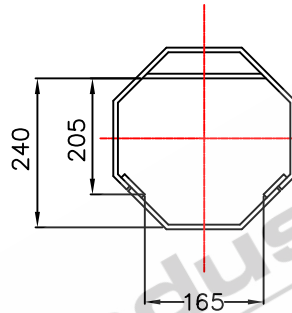


ELEVATION

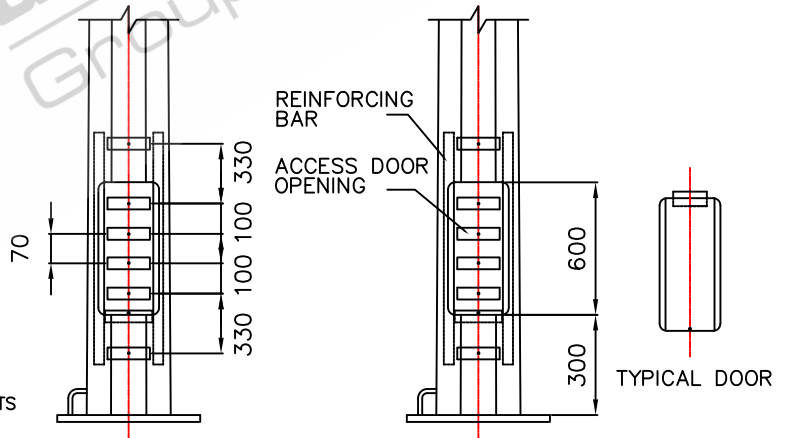
TOTAL WEIGHT OF COLUMN: 308KG'S



BASEPLATE THICKNESS: 25mm
BASEPLATE DETAILS



CONTROL GEAR CLEARANCE DETAILS



ELEVATION ON DOOR
DOOR REMOVED FOR CLARITY

- STANDARDS**
ALL PRODUCTS TO CONFORM TO THE FOLLOWING AUSTRALIAN STANDARDS
- * AS 1170.2: Structural design actions – Wind actions.
 - * AS 1302: Geometrical product specifications indication of surface texture in technical production documentation.
 - * AS 1554(set) Structural steel welding set.
 - * AS 2159: Piling – Design & Installation.
 - * AS 2870: Residential slab footings – Construction.
 - * AS 3600: Concrete structures.
 - * AS 3678: Structural steel – Hot rolled plates, floorplates and slabs.
 - * AS 4680: Hot dip galvanized (Zinc) Coatings on fabricated ferrous articles.
 - * AS/NZS 4671: Steel reinforcing materials.
 - * AS/NZS 4600: Cold formed steel structures.
 - * AS/NZS 4676: Structural design requirements for utility services poles.



G&S Industries

97 GUTHRIE STREET, OSBORNE PARK W.A. 6017
PH (08) 9446 8044. (08) 9446 8266
FAX (08) 9446 5456

JOB NO.

DATE:

DESIGN:

S.G.

DRAWN:

Z.L.

10M MID-HINGED TAPERED OCTAGONAL
COLUMN
MH10BH
630005A

CHECKED:

R.G.

APPROVED:

Y

LAST REVISED:

4 SEPT '06

SCALE:

NTS

DRAWING:

ZLRG2065

REVISION:

01

1

2

3

4

E

E