

1

2

3

4

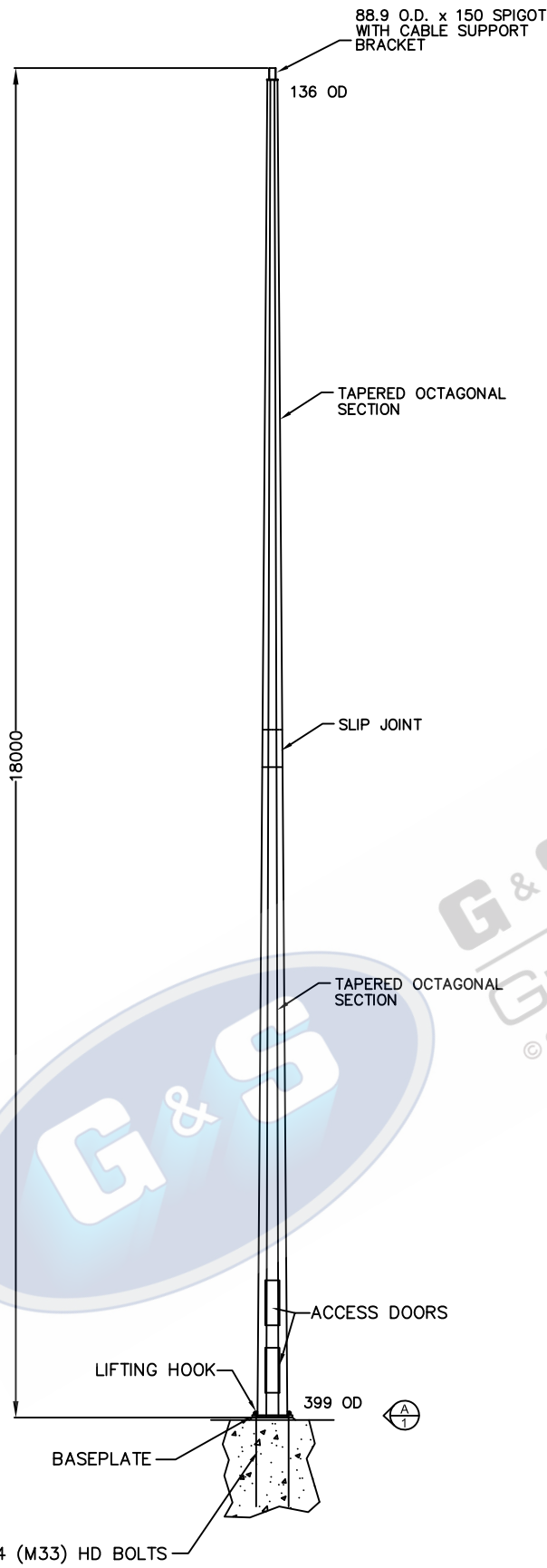
A

B

C

D

E



88.9 O.D. x 150 SPIGOT WITH CABLE SUPPORT BRACKET

136 OD

TAPERED OCTAGONAL SECTION

SLIP JOINT

TAPERED OCTAGONAL SECTION

ACCESS DOORS

LIFTING HOOK

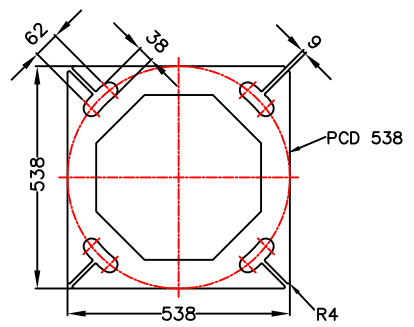
399 OD

BASEPLATE

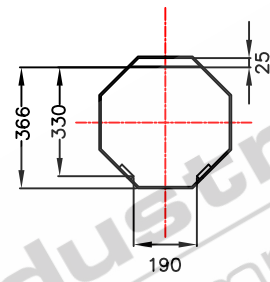
4 (M33) HD BOLTS

ELEVATION

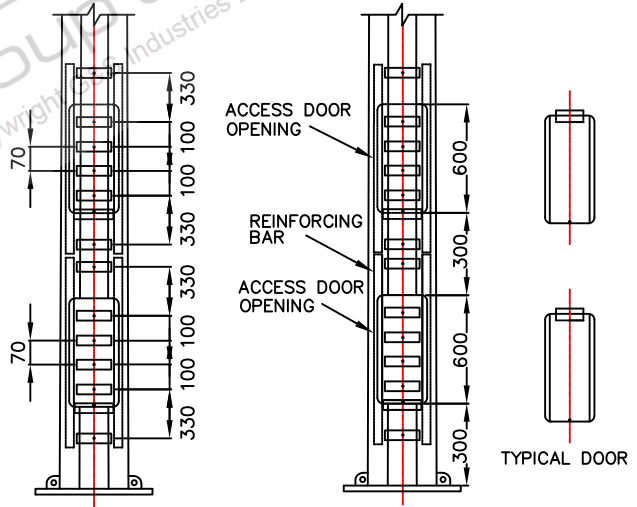
EST COLUMN WEIGHT 661KG'S



BASEPLATE THICKNESS: 32mm
BASEPLATE DETAILS



CONTROL GEAR CLEARANCE DETAILS



ELEVATION ON DOORS

4 SETS OF CONTROL GEAR STRAPS (2 SETS PER DOOR)
DOORS REMOVED FOR CLARITY

- STANDARDS**
ALL PRODUCTS TO CONFORM TO THE FOLLOWING AUSTRALIAN STANDARDS
- * AS 1170.2: Structural design actions - Wind actions.
 - * AS 1302: Geometrical product specifications indication of surface texture in technical production documentation.
 - * AS 1554(set) Structural steel welding set.
 - * AS 2159: Piling - Design & Installation.
 - * AS 2870: Residential slab footings - Construction.
 - * AS 3600: Concrete structures.
 - * AS 3678: Structural steel - Hot rolled plates, floorplates and slabs.
 - * AS 4680: Hot dip galvanized (Zinc) Coatings on fabricated ferrous articles.
 - * AS/NZS 4671: Steel reinforcing materials.
 - * AS/NZS 4600: Cold formed steel structures.
 - * AS/NZS 4676: Structural design requirements for utility services poles.



G&S Industries

97 GUTHRIE STREET, OSBORNE PARK W.A. 6017
PH (08) 9446 8044, (08) 9446 8266
FAX (08) 9446 5456

JOB NO.	DATE:	DESIGN:	DRAWN:
18M FIXED TAPERED OCTAGONAL COLUMN F18BM		S.G.	Z.L.
		CHECKED:	APPROVED:
		R.G.	Y
		LAST REVISED:	SCALE:
		06 MAR '10	NTS
		DRAWING:	REVISION:
		ZLRG2051CA	03