

1 2 3 4

A

A

B

B

C

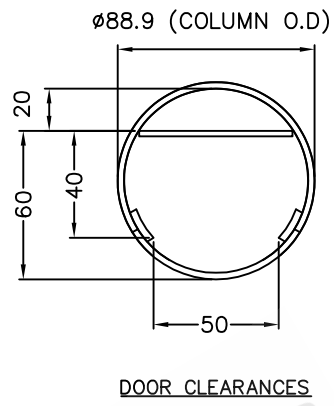
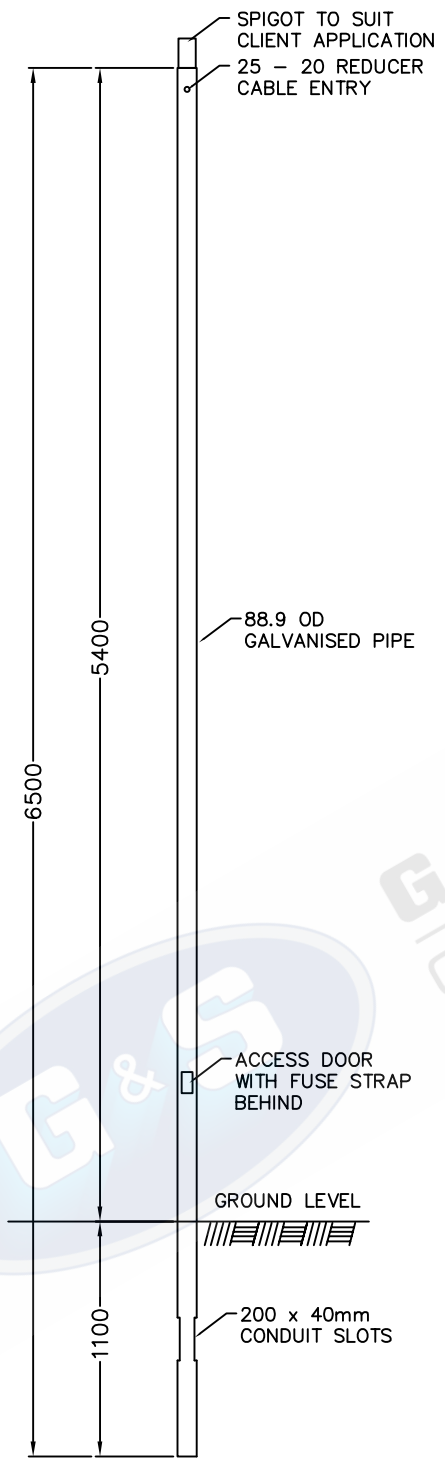
C

D

D

E

E



COLUMN WEIGHT: 54KG's

- STANDARDS**  
 ALL PRODUCTS TO CONFORM TO THE FOLLOWING AUSTRALIAN STANDARDS  
 \* AS 1170.2: Structural design actions – Wind actions.  
 \* AS 1302: Geometrical product specifications indication of surface texture in technical production documentation.  
 \* AS 1554(set) Structural steel welding set.  
 \* AS 2159: Piling – Design & Installation.  
 \* AS 2870: Residential slab footings – Construction.  
 \* AS 3600: Concrete structures.  
 \* AS 3678: Structural steel – Hot rolled plates, floorplates and slabs.  
 \* AS 4680: Hot dip galvanized (Zinc) Coatings on fabricated ferrous articles.  
 \* AS/NZS 4671: Steel reinforcing materials.  
 \* AS/NZS 4600: Cold formed steel structures.  
 \* AS/NZS 4676: Structural design requirements for utility services poles.



97 GUTHRIE STREET OSBORNE PARK W.A. 6017  
 PH. (08) 9446 8044, (08) 9446 8266  
 FAX (08) 9446 5456

JOB No	DATE	DESIGN: SG	DRAWN: ZL
POST TOP COLUMN C88D6.5		CHECKED: RG	APPROVED: Y
88.9 OD		LAST REVISED: 4 SEPT '06	
6500mm		SCALE: NTS	
650012		DRAWING: ZLRG2106	REVISION: 01

1 2 3 4