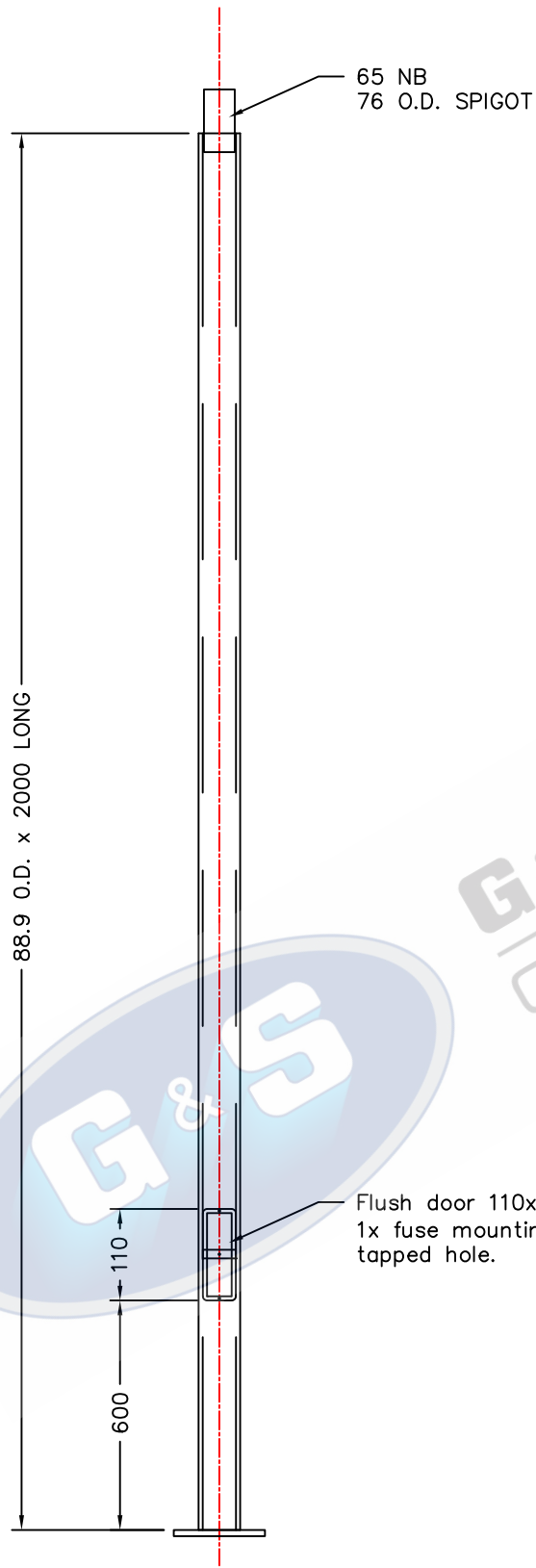


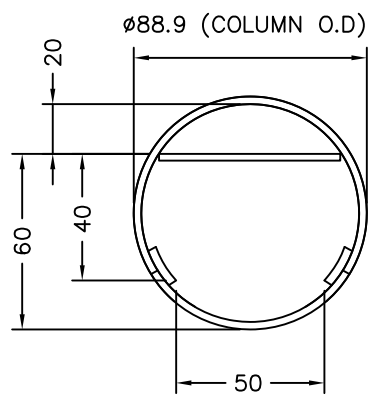
1 2 3 4

A

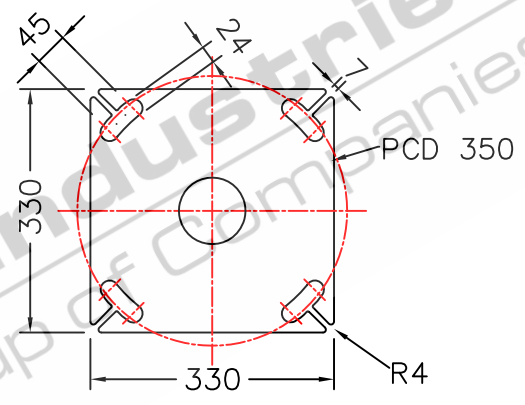
A



COLUMN WEIGHT: 24KG'S



DOOR CLEARANCES



J3B
BASEPLATE DETAILS

- STANDARDS**
 ALL PRODUCTS TO CONFORM TO THE FOLLOWING AUSTRALIAN STANDARDS
- * AS 1170.2: Structural design actions - Wind actions.
 - * AS 1302: Geometrical product specifications indication of surface texture in technical production documentation.
 - * AS 1554(set): Structural steel welding set.
 - * AS 2159: Piling - Design & Installation.
 - * AS 2870: Residential slab footings - Construction.
 - * AS 3600: Concrete structures.
 - * AS 3678: Structural steel - Hot rolled plates, floorplates and slabs.
 - * AS 4680: Hot dip galvanized (Zinc) Coatings on fabricated ferrous articles.
 - * AS/NZS 4671: Steel reinforcing materials.
 - * AS/NZS 4600: Cold formed steel structures.
 - * AS/NZS 4676: Structural design requirements for utility services poles.

B

B

C

C

D

D

E

E



97 GUTHRIE STREET OSBORNE PARK W.A. 6017
 PH. (08) 9446 8044, (08) 9446 8266
 FAX (08) 9446 5456

JOB No	DATE:	DESIGN: SG	DRAWN: ZL
CIRCULAR COLUMN C88B2 2m POST TOP COLUMN BASEPLATE MOUNTED 650032		CHECKED: RG	APPROVED: Y
		LAST REVISED: 4 SEPT '06	SCALE: NTS
		DRAWING: ZLRG2089	REVISION: 01

1 2 3 4