

SPIGOT TO SUIT CLIENT APPLICATION  
 25 - 20 REDUCER CABLE ENTRY

101.6 OD GALVANISED PIPE

ACCESS DOOR WITH FUSE STRAP BEHIND

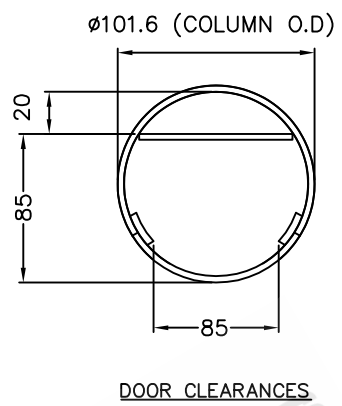
GROUND LEVEL

200 x 40mm CONDUIT SLOTS

6500

5400

1100



COLUMN WEIGHT: 63KG's

- STANDARDS**  
 ALL PRODUCTS TO CONFORM TO THE FOLLOWING AUSTRALIAN STANDARDS
- \* AS 1170.2: Structural design actions - Wind actions.
  - \* AS 1302: Geometrical product specifications indication of surface texture in technical production documentation.
  - \* AS 1554(set) Structural steel welding set.
  - \* AS 2159: Piling - Design & Installation.
  - \* AS 2870: Residential slab footings - Construction.
  - \* AS 3600: Concrete structures.
  - \* AS 3678: Structural steel - Hot rolled plates, floorplates and slabs.
  - \* AS 4680: Hot dip galvanized (Zinc) Coatings on fabricated ferrous articles.
  - \* AS/NZS 4671: Steel reinforcing materials.
  - \* AS/NZS 4600: Cold formed steel structures.
  - \* AS/NZS 4676: Structural design requirements for utility services poles.

**G&S Industries**

97 GUTHRIE STREET OSBORNE PARK W.A. 6017  
 PH. (08) 9446 8044, (08) 9446 8266  
 FAX (08) 9446 5456

JOB No	DATE
POST TOP COLUMN C101D6.5	
101.6 OD	
6500mm	
650013	

DESIGN: SG	DRAWN: ZL
CHECKED: RG	APPROVED: Y
LAST REVISED: 4 SEPT '06	SCALE: NTS
DRAWING: ZLRG2107	REVISION: 01