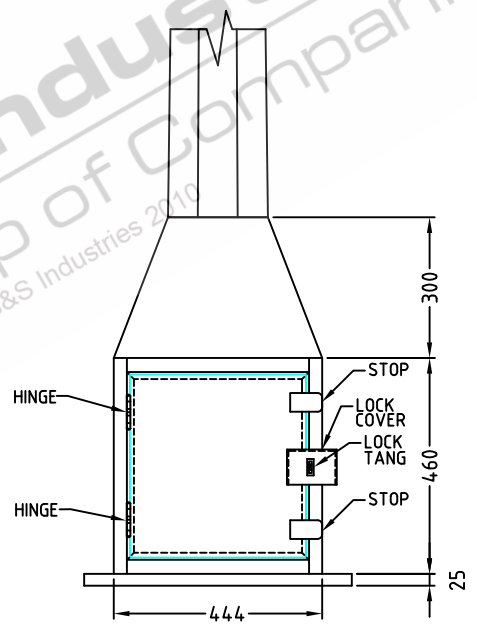


BASEPLATE THICKNESS: 25mm
BASEPLATE DETAILS



BOX DETAILS
DOOR OPENING 358MM(W) X 410MM(H)
BOX DEPTH 282MM

FRONT ELEVATION
TOTAL WEIGHT OF COLUMN: 163.00KG'S

- STANDARDS**
ALL PRODUCTS TO CONFORM TO THE FOLLOWING AUSTRALIAN STANDARDS
- × AS 1170.2: Structural design actions - Wind actions.
 - × AS 1302: Geometrical product specifications indication of surface texture in technical production documentation.
 - × AS 1554(ae1): Structural steel welding set.
 - × AS 2159: Piling - Design & Installation.
 - × AS 2870: Residential slab footings - Construction.
 - × AS 3600: Concrete structures.
 - × AS 3678: Structural steel - Hot rolled plates, floorplates and slabs.
 - × AS 4680: Hot dip galvanized (Zinc) Coatings on fabricated ferrous articles.
 - × AS/NZS 4675: Steel reinforcing materials.
 - × AS/NZS 4680: Cold formed steel structures.
 - × AS/NZS 4676: Structural design requirements for utility services poles.



97 GUTHRIE STREET, OSBORNE PARK W.A. 6017
PH (08) 9446 8044, (08) 9446 8266
FAX (08) 9446 5456

JOB NO.	DATE:	DESIGN:	S.G.	DRAWN:	Z.L.
4M MID HINGED TAPERED OCTAGONAL SOLAR COLUMN SC4BMH 700004		CHECKED:	R.G.	APPROVED:	Y
		LAST REVISED:	22 MAR '10	SCALE:	NTS
		DRAWING:	ZLRG2131	REVISION:	02