

1

2

3

4

A

A

B

B

C

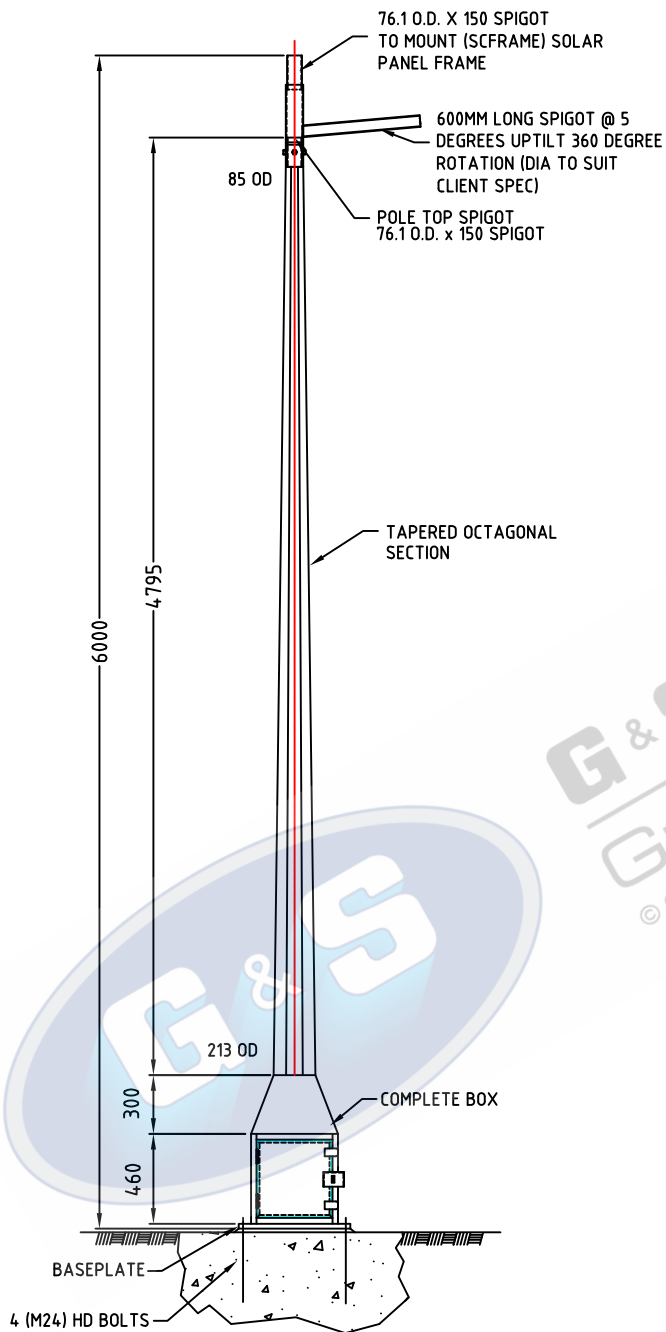
C

D

D

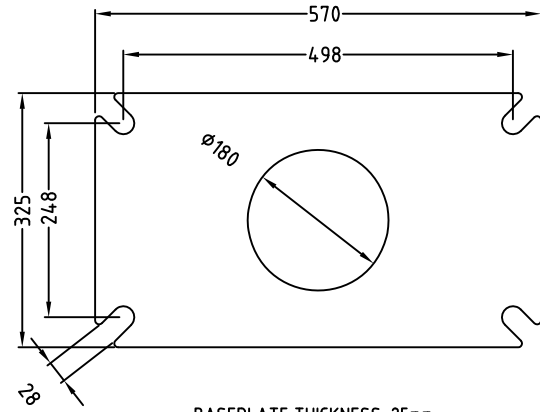
E

E

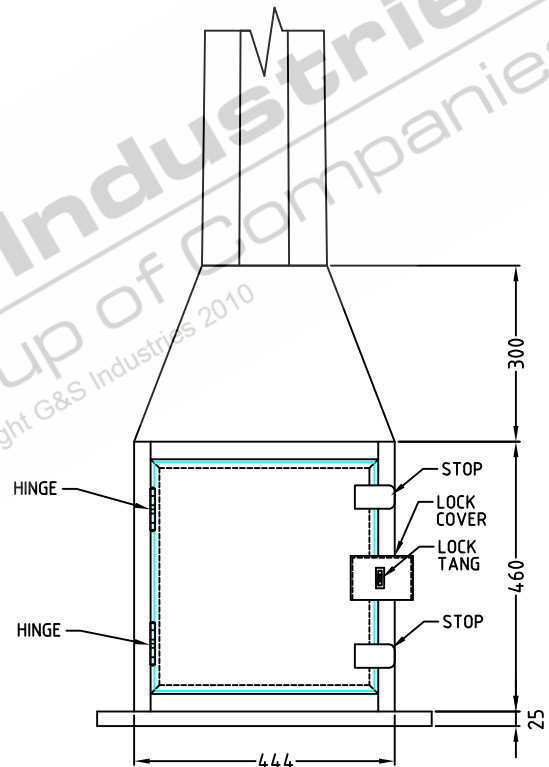


FRONT ELEVATION

TOTAL WEIGHT OF COLUMN: 176.00KG'S



BASEPLATE THICKNESS: 25mm
BASEPLATE DETAILS



BOX DETAILS

DOOR OPENING 358MM(W) X 410MM(H)
BOX DEPTH 282MM

- STANDARDS**
ALL PRODUCTS TO CONFORM TO THE FOLLOWING AUSTRALIAN STANDARDS
- × AS 1170.2: Structural design actions - Wind actions.
 - × AS 1302: Geometrical product specifications indication of surface texture in technical production documentation.
 - × AS 1554(ae1): Structural steel welding set.
 - × AS 2159: Piling - Design & Installation.
 - × AS 2870: Residential slab footings - Construction.
 - × AS 3600: Concrete structures.
 - × AS 3678: Structural steel - Hot rolled plates, floorplates and slabs.
 - × AS 4680: Hot dip galvanized (Zinc) coatings on fabricated ferrous articles.
 - × AS/NZS 4675: Steel reinforcing materials.
 - × AS/NZS 4670: Cold formed steel structures.
 - × AS/NZS 4676: Structural design requirements for utility services poles.



G&S Industries

97 GUTHRIE STREET, OSBORNE PARK W.A. 6017
PH (08) 9446 8044, (08) 9446 8286
FAX (08) 9446 5456

JOB NO.

DATE:

DESIGN:

S.G.

DRAWN:

Z.L.

6M FIXED TAPERED OCTAGONAL SOLAR COLUMN
SC6BF
700002

CHECKED:

R.G.

APPROVED:

Y

LAST REVISED:

22 MAR '10

SCALE:

NTS

DRAWING:

ZLRG2129N

REVISION:

02

1

2

3

4