

1

2

3

4

A

A

B

B

C

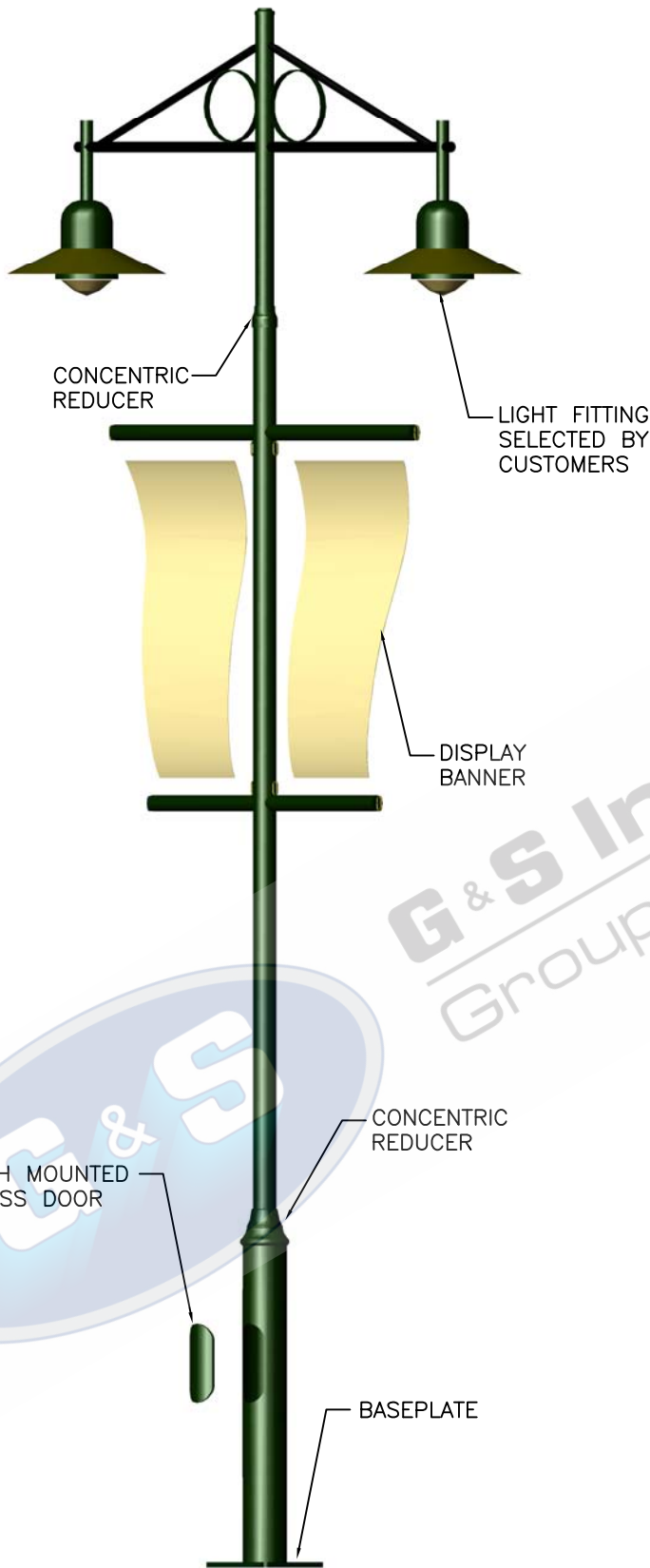
C

D

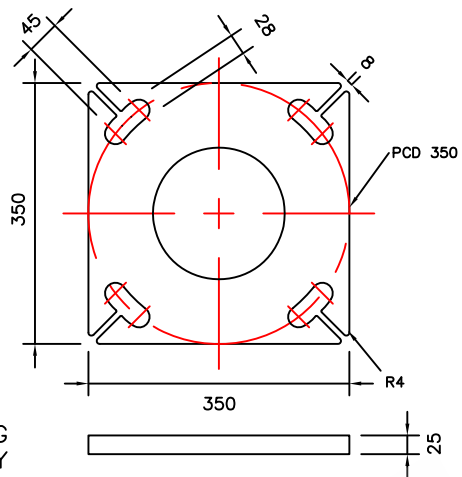
D

E

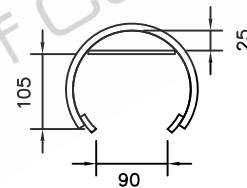
E



ELEVATION



BASEPLATE DETAILS



CONTROL GEAR CLEARANCE DETAILS

- STANDARDS**
ALL PRODUCTS TO CONFORM TO THE FOLLOWING AUSTRALIAN STANDARDS
- * AS 1170.2: Structural design actions – Wind actions.
 - * AS 1302: Geometrical product specifications indication of surface texture in technical production documentation.
 - * AS 1554(set): Structural steel welding set.
 - * AS 2159: Piling – Design & Installation.
 - * AS 2870: Residential slab footings – Construction.
 - * AS 3600: Concrete structures.
 - * AS 3678: Structural steel – Hot rolled plates, floorplates and slabs.
 - * AS 4680: Hot dip galvanized (Zinc) Coatings on fabricated ferrous articles.
 - * AS/NZS 4671: Steel reinforcing materials.
 - * AS/NZS 4600: Cold formed steel structures.
 - * AS/NZS 4676: Structural design requirements for utility services poles.



G&S Industries

97 GUTHRIE STREET, OSBORNE PARK W.A. 6017
 PH (08) 9446 8044. (08) 9446 8266
 FAX (08) 9446 5456

| | | | |
|---|-------|---------------|-----------|
| JOB NO. | DATE: | DESIGN: | DRAWN: |
| ARCHITECTURAL DECORATIVE BRISTOL 640012 | | S.G. | Z.L. |
| | | CHECKED: | APPROVED: |
| | | R.G. | Y |
| | | LAST REVISED: | SCALE: |
| | | 4 SEPT '06 | NTS |
| | | DRAWING: | REVISION: |
| | | ZLRG2010 | 01 |

1

2

3

4