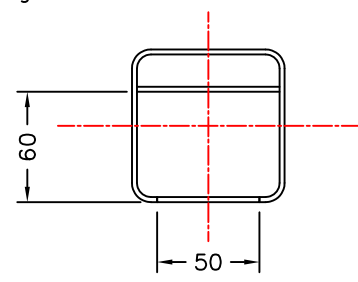
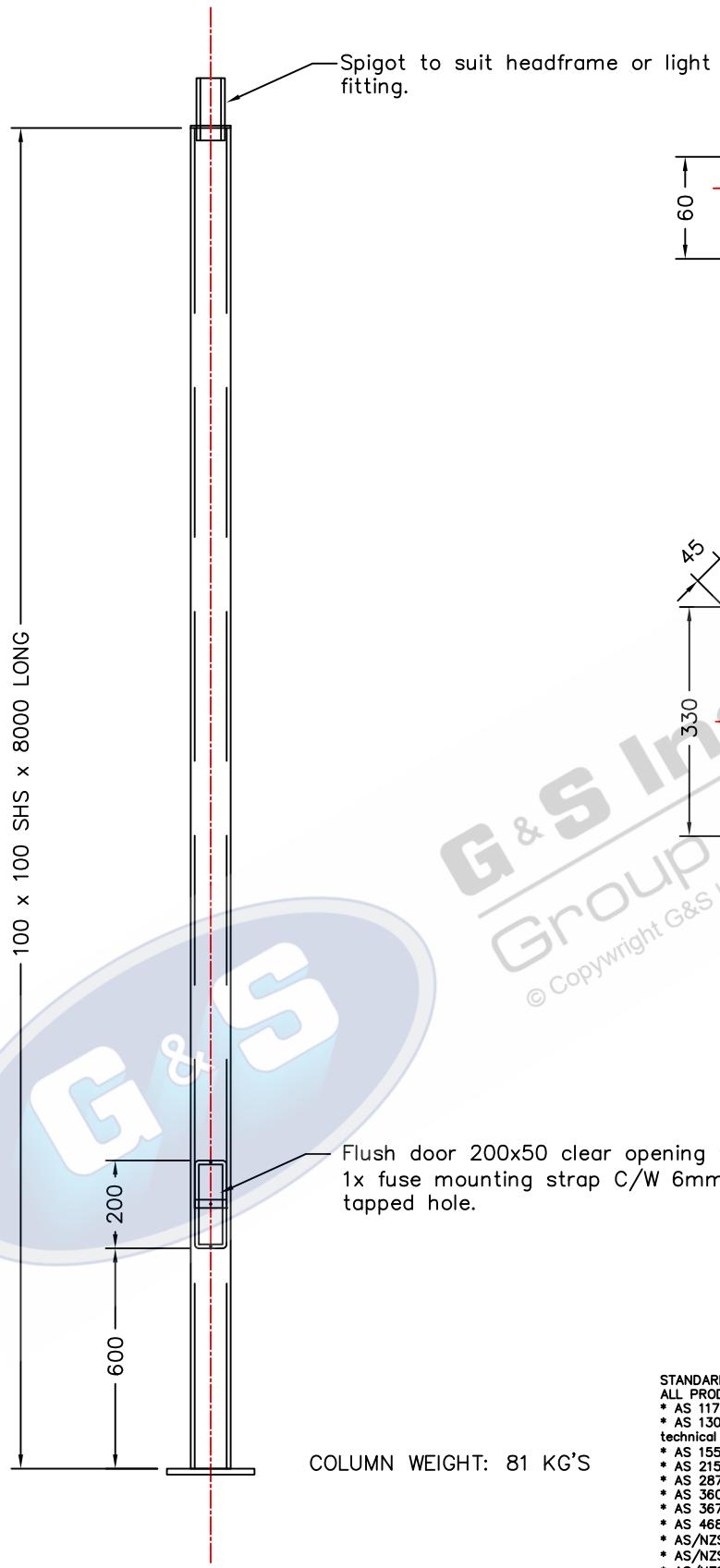


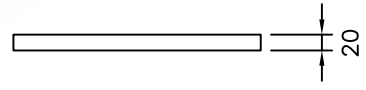
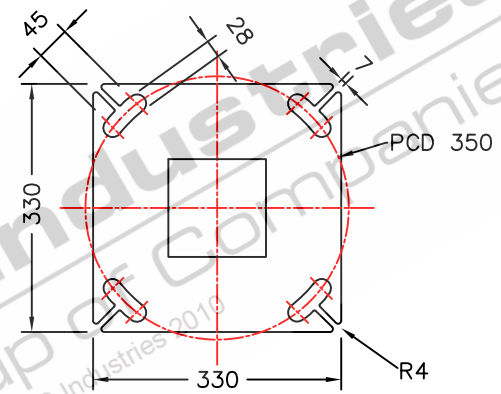
1 2 3 4

A

A



DOOR CLEARANCES



B3B  
BASEPLATE DETAILS

COLUMN WEIGHT: 81 KG'S

- STANDARDS**  
 ALL PRODUCTS TO CONFORM TO THE FOLLOWING AUSTRALIAN STANDARDS
- \* AS 1170.2: Structural design actions – Wind actions.
  - \* AS 1302: Geometrical product specifications indication of surface texture in technical production documentation.
  - \* AS 1554(set) Structural steel welding set.
  - \* AS 2159: Piling – Design & Installation.
  - \* AS 2870: Residential slab footings – Construction.
  - \* AS 3600: Concrete structures.
  - \* AS 3678: Structural steel – Hot rolled plates, floorplates and slabs.
  - \* AS 4680: Hot dip galvanized (Zinc) Coatings on fabricated ferrous articles.
  - \* AS/NZS 4671: Steel reinforcing materials.
  - \* AS/NZS 4600: Cold formed steel structures.
  - \* AS/NZS 4676: Structural design requirements for utility services poles.

D

D

E

E



97 GUTHRIE STREET OSBORNE PARK W.A. 6017  
 PH. (08) 9446 8044, (08) 9446 8266  
 FAX (08) 9446 5456

JOB No	DATE:	DESIGN# SG	DRAW# ZL
SQUARE SHS COLUMN S100B8		CHECKED# RG	APPROVED Y
8m POST TOP COLUMN		LAST REVISED: 11 DEC '10	SCALE NTS
BASEPLATE MOUNTED		DRAWING ZLRG2113	REVISION 03
660004			

1 2 3 4